

For Residential and Commercial Applications

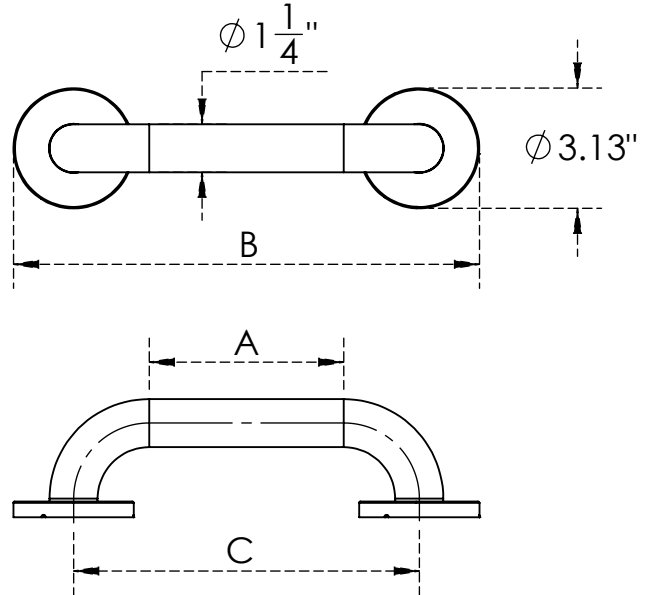
Job Name _____
 Job Location _____
 Engineer _____
 Approval _____

Contractor _____
 Approval _____
 Contractor's P.O. No. _____
 Representative _____

C9061 Series

Series

Commercial Peened Wall Mount Grab Bars with Concealed Screws



Dimensions - Weights

MODEL	SIZE		DIMENSIONS				WEIGHT
	Centre-to-Centre Distance C		Peened Surface Length A		Overall Length B		
	in.	mm	in.	mm	in.	mm	lbs.
C9061	9	229	5.06	129	12.13	308	0.97
C9062	12	305	8.06	205	15.13	384	1.13
C9063	18	457	14.06	357	21.13	537	1.44
C9064	24	610	20.06	510	27.13	689	1.75
C9065	36	914	32.06	814	39.13	994	2.37
C9066	48	1219	44.06	1119	51.13	1299	2.99

Features & Benefits:

Peened Grab bars are very helpful when hands are wet and ensure users maintain balance while standing.

- It helps to mitigate slips and falls.
- Secure Mount design allows for easy, secure installation at any angle.
- Heavy duty grab bar with **18 gauge** tubing.
- 1-1/4 inches diameter pipe brushed finish for better grip.
- Weight capacity of up to 400 lbs.
- Complies with ADA specifications.
- Available from 9" to 48"
- These grab bars have flange covers to conceal the screws.
- This grab bar is made of durable 304 stainless steel construction.

NOTICE

The information contained herein is not intended to replace the full product installation and safety information available or the experience of a trained product installer. You are required to thoroughly read all installation instructions and product safety information before beginning the installation of this product.



US & Canada :- +1-678 666 2001

Krome product Specifications in U.S. customary units and metric are approximate and are provided for reference only. For precise measurements, please contact Krome Technical Service. Krome reserves the right to change or modify product design, construction, specifications, or materials without prior notice and without incurring any obligation to make such changes and modifications on Krome products previously or subsequently sold. For most updated specification sheet, go to www.aluids.com