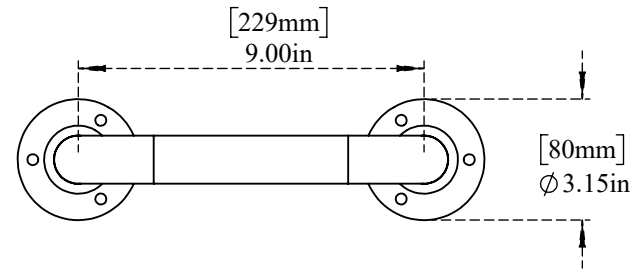
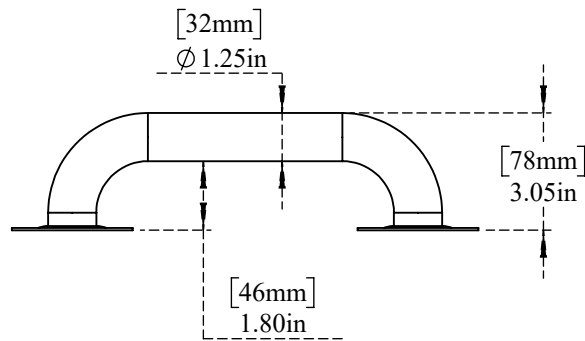
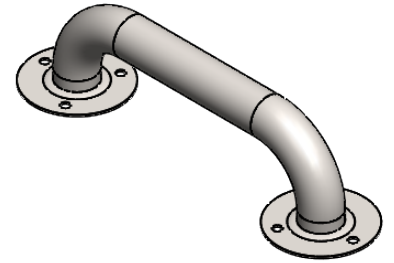


PART NO.-

C9071 Line drawing

TITLE-

Commercial Peened Wall Mount Grab Bars



Note:- Information provided for reference only.

All dimensions are in inches, mm (in bracket)

* This document and the information thereon is the property of Krome Dispense Pvt Ltd. & its subsidiaries. Any reproduction in part or as a whole without the written permission of Krome Dispense Pvt Ltd. is prohibited.