

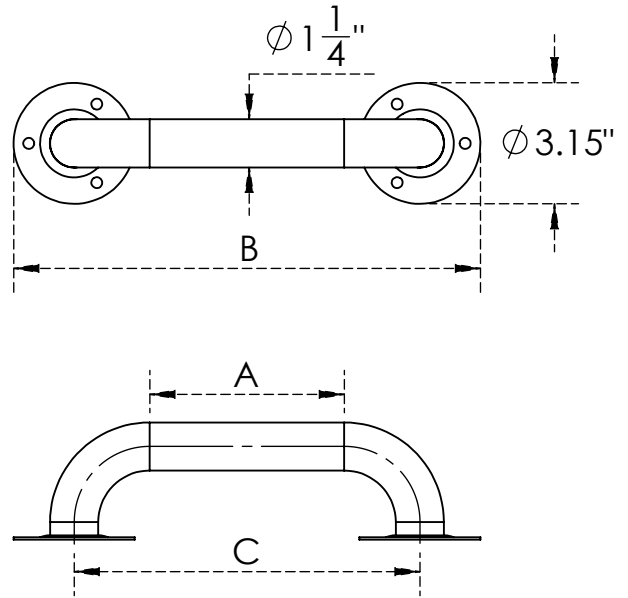
# For Residential and Commercial Applications

Job Name \_\_\_\_\_  
 Job Location \_\_\_\_\_  
 Engineer \_\_\_\_\_  
 Approval \_\_\_\_\_

Contractor \_\_\_\_\_  
 Approval \_\_\_\_\_  
 Contractor's P.O. No. \_\_\_\_\_  
 Representative \_\_\_\_\_

C9071 Series

## Series Commercial Peened Wall Mount Grab Bars



### Dimensions - Weights

MODEL	SIZE		DIMENSIONS				WEIGHT
	Centre-to-Centre Distance C		Peened Surface Length A		Overall Length B		
	in.	mm	in.	mm	in.	mm	lbs.
<b>C9071</b>	9	229	5.06	129	12.15	309	0.84
<b>C9072</b>	12	305	8.06	205	15.15	385	0.99
<b>C9073</b>	18	457	14.06	357	21.15	537	1.30
<b>C9074</b>	24	610	20.06	510	27.15	690	1.61
<b>C9075</b>	36	914	32.06	814	39.15	994	2.23
<b>C9076</b>	48	1219	44.06	1119	51.15	1299	2.85

### Features & Benefits:

Peened Grab bars are very helpful when hands are wet and ensure users maintain balance while standing.

- It helps to mitigate slips and falls.
- Secure Mount design allows for easy, secure installation at any angle.
- Heavy duty grab bar with **18 gauge** tubing.
- 1-1/4 inches diameter pipe brushed finish for better grip.
- Weight capacity of up to 400 lbs.
- Complies with ADA specifications.
- Available from 9" to 48"
- This grab bar is made of durable 304 stainless steel construction.
- These grab bars do not have flange covers to conceal the screws so they are exposed.

### NOTICE

The information contained herein is not intended to replace the full product installation and safety information available or the experience of a trained product installer. You are required to thoroughly read all installation instructions and product safety information before beginning the installation of this product.



US & Canada :- +1-678 666 2001

Krome product Specifications in U.S. customary units and metric are approximate and are provided for reference only. For precise measurements, please contact Krome Technical Service. Krome reserves the right to change or modify product design, construction, specifications, or materials without prior notice and without incurring any obligation to make such changes and modifications on Krome products previously or subsequently sold. For most updated specification sheet, go to [www.aluids.com](http://www.aluids.com)