

# For Residential and Commercial Applications

Job Name \_\_\_\_\_  
 Job Location \_\_\_\_\_  
 Engineer \_\_\_\_\_  
 Approval \_\_\_\_\_

Contractor \_\_\_\_\_  
 Approval \_\_\_\_\_  
 Contractor's P.O. No. \_\_\_\_\_  
 Representative \_\_\_\_\_

C8448 Series

## Series

Single Pantry Faucet, Single Hole Base,  
 Wall Mount

### Sizes:

Single Hole Wall Mount Pantry Faucets  
 with 6" to 12" Swivel Nozzle

### Features & Benefits:

- Swivel Nozzle stream regulator outlet
- Polished Chrome Finish
- Lead-free Heavy Duty Wall Mounted Commercial Kitchen Faucet
- The material ensures quality and reliability
- Single supply for cold or tempered water
- The durable brass construction is designed for a lifetime of use
- Warranty 3 Years

### Product Compliance:

California Proposition 65

### Performance Data:

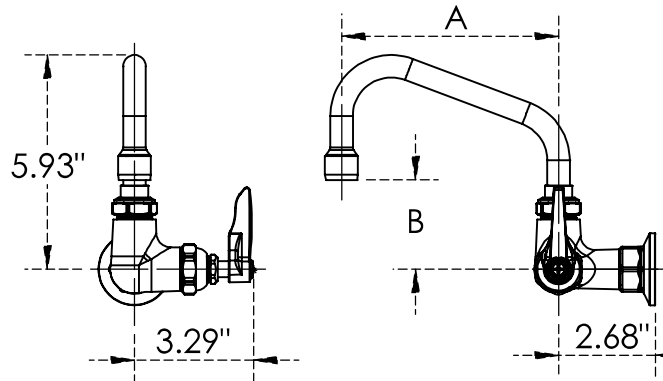
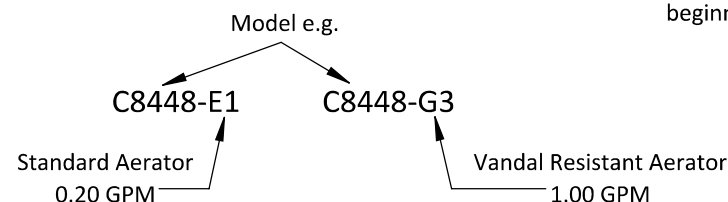
Pressure: 20- 125 PSI  
 Temperature: 40 °F to 140 °F

### Aerators:

Standard Aerator	Suffix	Vandal Resistant Aerator	Suffix
<input type="checkbox"/> 0.20 GPM	E1	<input type="checkbox"/> 0.35 GPM	G1
<input type="checkbox"/> 0.50 GPM	E2	<input type="checkbox"/> 0.50 GPM	G2
<input type="checkbox"/> 1.00 GPM	E3	<input type="checkbox"/> 1.00 GPM	G3
<input type="checkbox"/> 1.50 GPM	E4	<input type="checkbox"/> 1.50 GPM	G4
<input type="checkbox"/> 1.80 GPM	E5		
<input type="checkbox"/> 2.20 GPM	E6		

Laminar Flow Outlet	Suffix	Vandal Resistant Laminar Flow Outlet	Suffix
<input type="checkbox"/> 0.50 GPM	F1	<input type="checkbox"/> 0.35 GPM	H1
<input type="checkbox"/> 1.50 GPM	F2	<input type="checkbox"/> 0.50 GPM	H2
		<input type="checkbox"/> 1.00 GPM	H3
		<input type="checkbox"/> 1.50 GPM	H4



### Dimensions - Weights

MODEL	Main Body		DIMENSIONS				WEIGHT
	Faucet Body	Swivel Nozzle	Swivel Nozzle Length A		Length B		
			in	mm	in	mm	lbs.
<b>C8448</b>	C8447	C8179	6"	152	2.47"	63	3.18
<b>C8449</b>	C8447	C8145	12"	305	4.73"	120	3.43

### NOTICE

The information contained herein is not intended to replace the full product installation and safety information available or the experience of a trained product installer. You are required to thoroughly read all installation instructions and product safety information before beginning the installation of this product.



US & Canada :- +1-678 666 2001

Krome product Specifications in U.S. customary units and metric are approximate and are provided for reference only. For precise measurements, please contact Krome Technical Service. Krome reserves the right to change or modify product design, construction, specifications, or materials without prior notice and without incurring any obligation to make such changes and modifications on Krome products previously or subsequently sold. For most updated specification sheet, go to [www.aluids.com](http://www.aluids.com)

Copyright © 2017 Krome USA Inc. All Rights Reserved  
 Date:16/12/2020  
 Revision: 01