

Features & Benefits:

- Heavy-dusty Brass construction, designed for long life.
- Excellent for cleaning jobs.
- Controls water supply easily and efficiently.
- Blue rubber cover.
- Rated up to 200 psi.
- Adjustable stream from solid to soft spray.

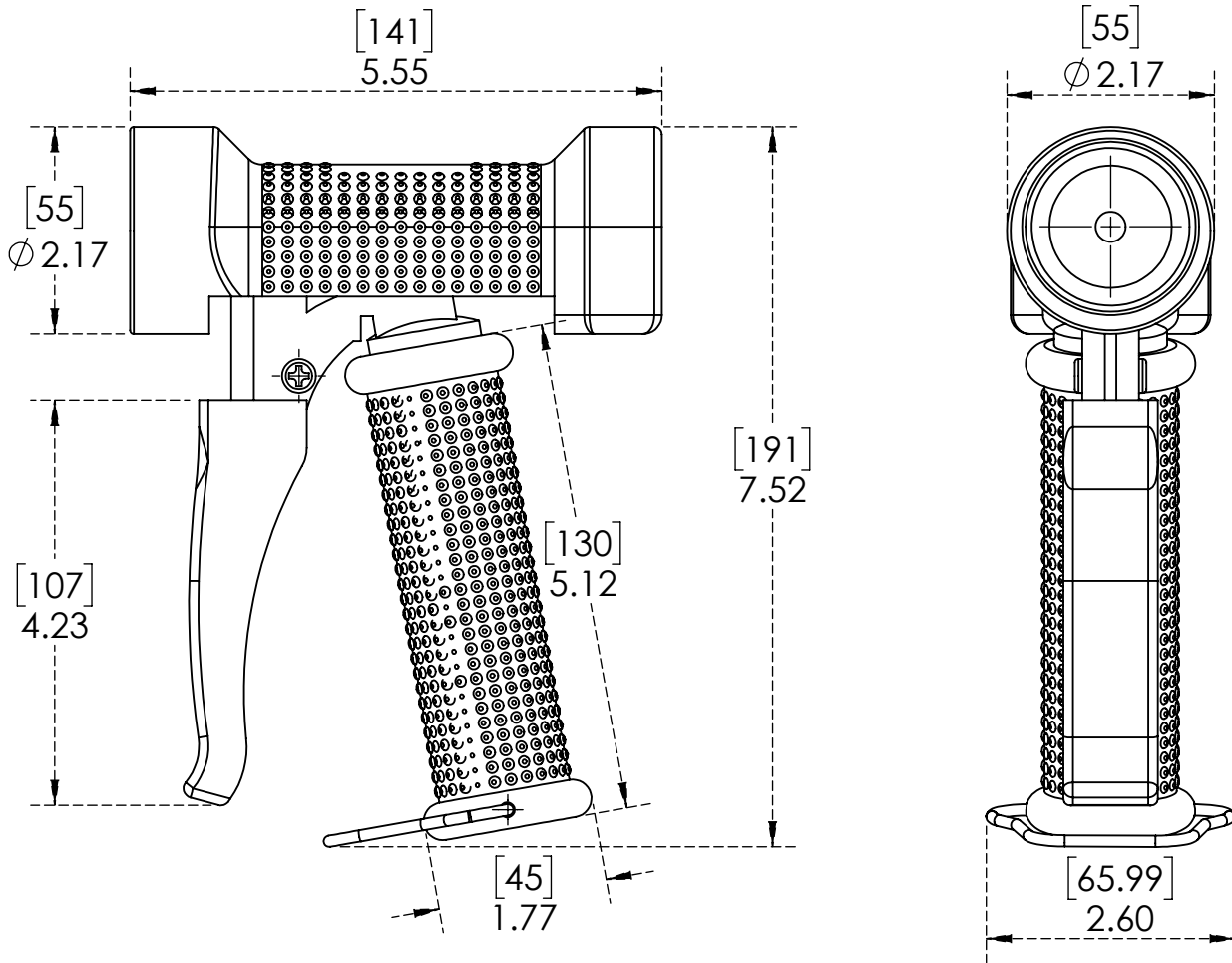


C8251

Raw Finish

Warranty: One Year (Limited)

Product Dimensions:-



Revision # -

Copyright © 2017 Krome Dispense. All Rights Reserved

US & Canada :- +1-678 666 2001
Asia:- +91-9814203010

Krome Dispense reserves the right to make revisions to product specifications without any notice
For most updated specification sheet , go to www.kromedispense.com

