

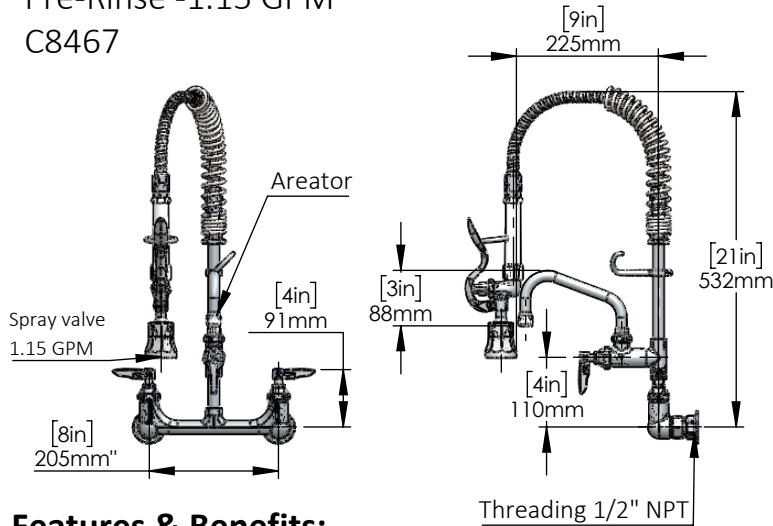
For Residential and Commercial Applications

Job Name _____
 Job Location _____
 Engineer _____
 Approval _____

Contractor _____
 Approval _____
 Contractor's P.O. No. _____
 Representative _____

Series: Pre Rinse

8" Center Wall Mount Space Saver
 Pre-Rinse -1.15 GPM
 C8467



Features & Benefits:

- Heat resistant black handle and hold down ring
- Lever handles with colorful coded screws
- Quarter-turn ceramic cartridges
- adjustable centers
- Perfect for commercial kitchen or Residential Utility kitchen sinks
- Low height commercial kitchen dishwasher faucet is constructed from lead-free brass.

Performance Data:

- Pressure: 20 - 125 psi [1.38 - 8.62 bar]
- Temperature: 40 F - 140 F [4.44 C - 60 C]
- Flow rate: : 1.15 GPM [4.35 L/min] @ 60 psi

Aerators:

Standard Aerator	Suffix	Vandal Resistant Laminar Flow Outlet	Suffix
<input type="checkbox"/> 0.20 GPM	E1	<input type="checkbox"/> 0.35 GPM	H1
<input type="checkbox"/> 0.50 GPM	E2	<input type="checkbox"/> 0.50 GPM	H2
<input type="checkbox"/> 1.00 GPM	E3	<input type="checkbox"/> 1.00 GPM	H3
<input type="checkbox"/> 1.50 GPM	E4	<input type="checkbox"/> 1.50 GPM	H4
<input type="checkbox"/> 1.80 GPM	E5		
<input type="checkbox"/> 2.20 GPM	E6		

Laminar Flow Outlet	Suffix	Vandal Resistant Aerator	Suffix
<input type="checkbox"/> 0.50 GPM	F1	<input type="checkbox"/> 0.35 GPM	G1
<input type="checkbox"/> 1.50 GPM	F2	<input type="checkbox"/> 0.50 GPM	G2
		<input type="checkbox"/> 1.00 GPM	G3

Specifications:

- 18" flexible stainless steel hose w/ heat resistant black handle and hold down ring
- 7" rigid riser tube
- Inlet Kit (C8584) is sold separately
- Intel 1/2" in NPT Female and has Adjustable Centers
- Pressure Max: 125 psi (8.62 bar)
- Pressure Min: 20 psi (1.38 bar)

Optional Cartridges:

- Quarter-Turn w/ Spring Check valve
- Quarter-Turn w/ Check Valve

Optional Pre-Rinse Spray Valves:

Spray Valve	Flow Rate
C9526	1.15GPM
C8149	1.42GPM
C9520	1.42GPM
C8249	4.50GPM

Material: Brass

Product compliance:
 California proposition 65

Warranty: Four years(Limited)

NOTICE

The information contained herein is not intended to replace the full product installation and safety information available or the experience of a trained product installer. You are required to thoroughly read all installation instructions and product safety information before beginning the installation of this product.



US & Canada :- +1-678 666 2001

Krome product Specifications in U.S. customary units and metric are approximate and are provided for reference only. For precise measurements, please contact Krome Technical Service. Krome reserves the right to change or modify product design, construction, specifications, or materials without prior notice and without incurring any obligation to make such changes and modifications on Krome products previously or subsequently sold. For most updated specification sheet, go to