

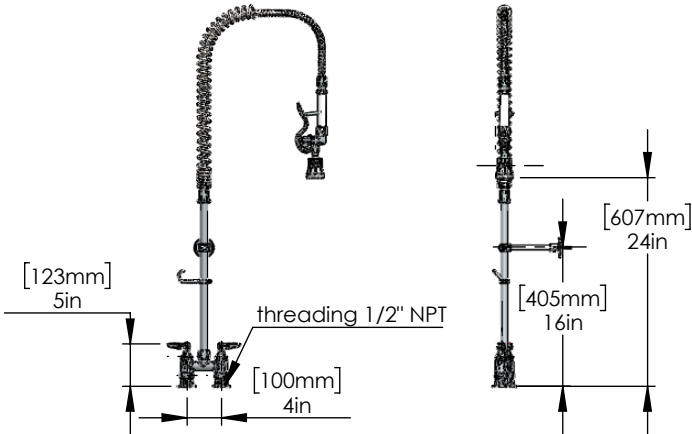
## For Residential and Commercial Applications

Job Name \_\_\_\_\_  
 Job Location \_\_\_\_\_  
 Engineer \_\_\_\_\_  
 Approval \_\_\_\_\_

Contractor \_\_\_\_\_  
 Approval \_\_\_\_\_  
 Contractor's P.O. No. \_\_\_\_\_  
 Representative \_\_\_\_\_

### Series:Pre Rinser

4" Center Deck Mount Pre-Rinse -1.20 GPM  
 Long Height – Double lever  
 C8572



#### Features & benefits:

- 44" flexible stainless steel hose with heat resistant black handle and hold down ring
- 18" rigid riser tube
- Quarter-turn ceramic cartridges
- Pressure Max: 125 psi (8.62 bar)
- Pressure Min: 20 psi (1.38 bar)
- Inlet 1/2" NPT Female w/adjustable centers

#### Optional Cartridges With Checks:

- Quarter- Turn Cerama w/ Check Valve
- Quarter-Turn Eterna w/ Spring Check

#### Performance Data:

- Pressure: 20 - 125 psi
- Temperature: 40 F - 140
- Flow Rate: 1.20 GPM @ 60 psi

#### Optional Pre-Rinse Spray Valves:

- C9520 - 1.42 GPM , C8249 - 4.50GPM
- C8149 - 1.42 GPM , C9526 - 1.52GPM

#### Specification:

- Finish Polished Gold
- Series Platinum
- Spray Valve Flow 1.15 GPM
- Wall Bracket 6 Inch
- Body 4 Inch, Riser Tube 18 Inch
- Cartridge Spindle Classic
- Handle Double Lever Handle
- Inlet 1/2" NPT Female

#### Product compliance :

- California Proposition 65

**Warranty :Four year**

#### NOTICE

The information contained herein is not intended to replace the full product installation and safety information available or the experience of a trained product installer. You are required to thoroughly read all installation instructions and product safety information before beginning the installation of this product.

**ALUIDS**

US & Canada :- +1-678 666 2001

Krome product Specifications in U.S. customary units and metric are approximate and are provided for reference only. For precise measurements, please contact Krome Technical Service. Krome reserves the right to change or modify product design, construction, specifications, or materials without prior notice and without incurring any obligation to make such changes and modifications on Krome products previously or subsequently sold. For most updated specification sheet, go to