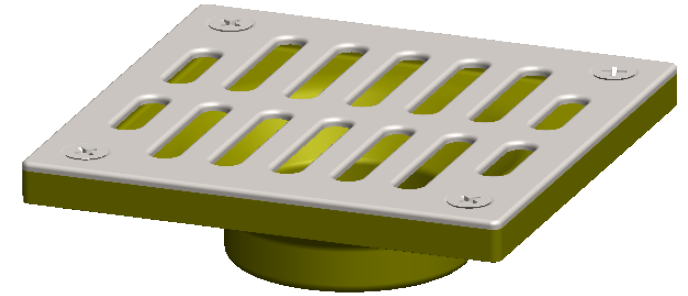
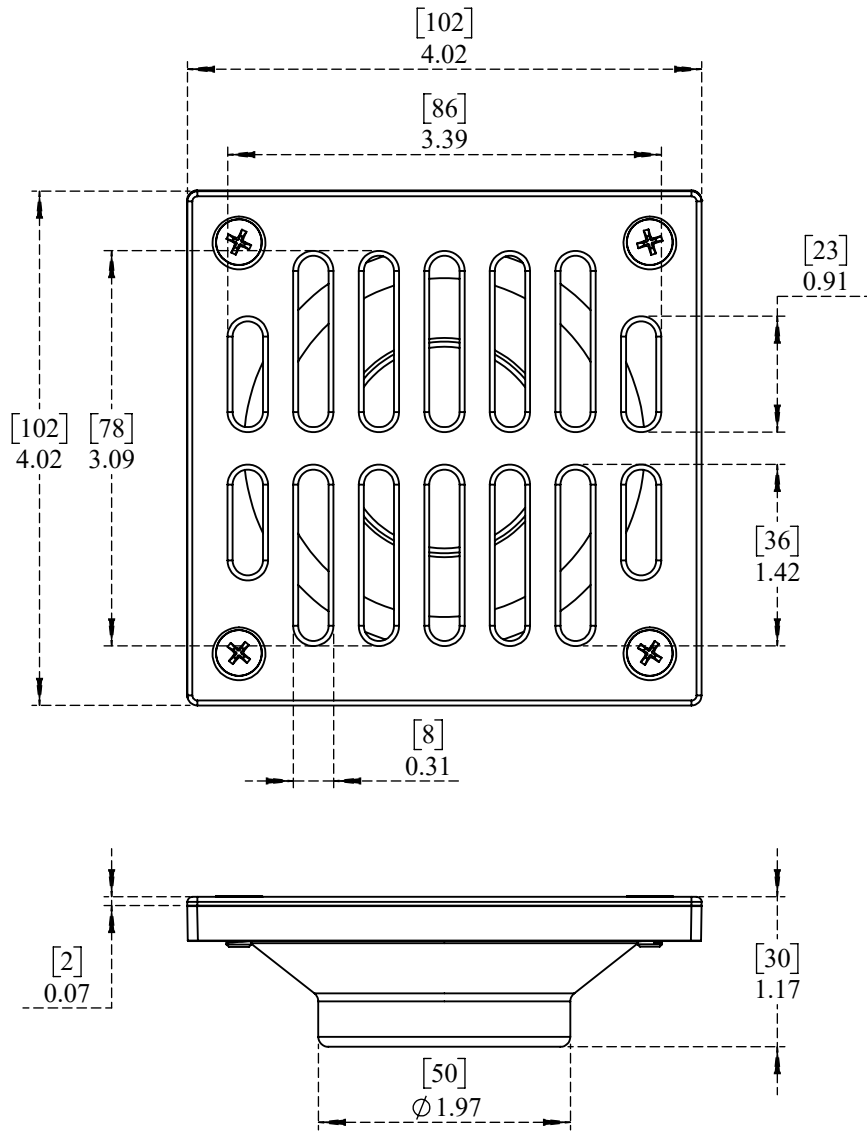


PART NO.-

C8966 Line Drawing

TITLE-

4" X 4" Floor Drain with Slotted Pattern Strainer



All dimensions are in inches, mm (in bracket)

**ALUIDS**

Note:- Information provided for reference only.

\* This document and the information thereon is the property of Krome Dispense Pvt Ltd. & its subsidiaries. Any reproduction in part or as a whole without the written permission of Krome Dispense Pvt Ltd. is prohibited.