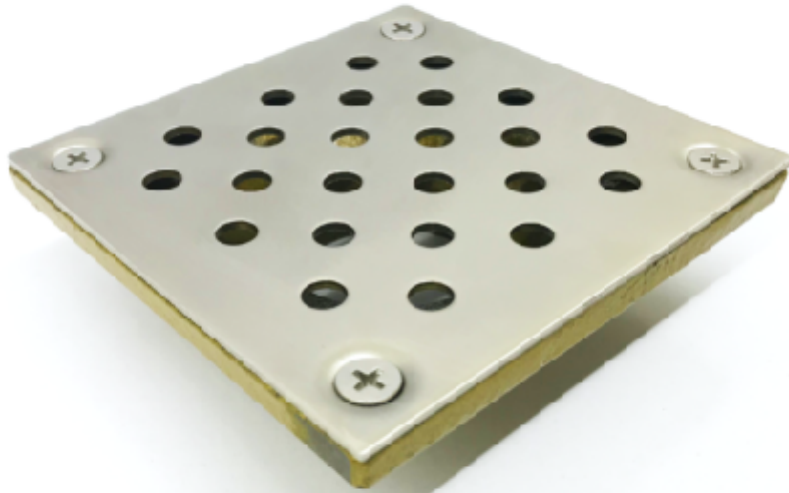


Features & Benefits:

- Floor Drain Grate has a small Hole which Prevents insects and Odour.
- Size is 4 inches, which is Compatible and can be used in multiple areas like laundry areas, washing areas, bathrooms, kitchens.
- Excellent Build Quality.
- Installation is easy and not so messy.

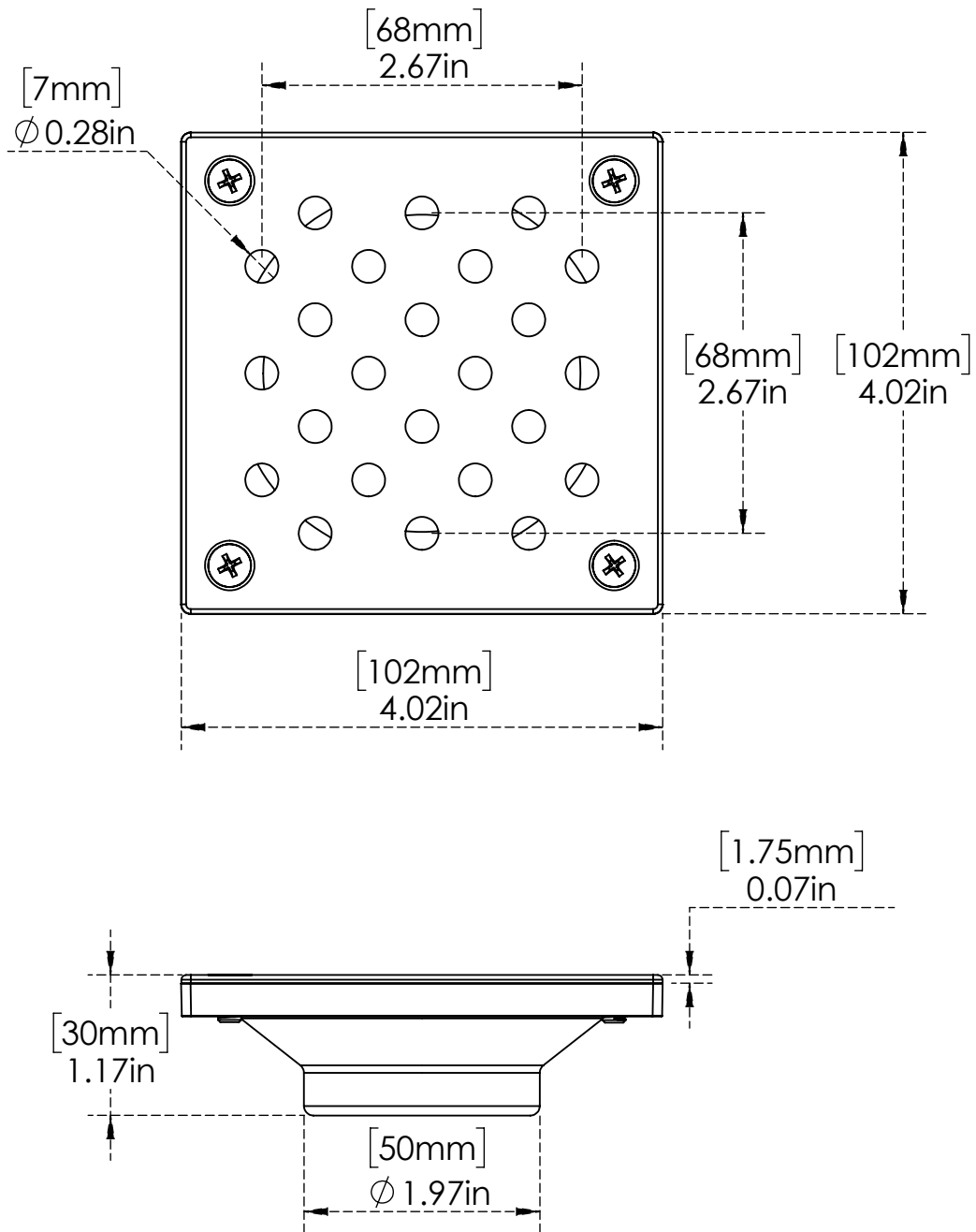


C8967

Strainer: Brushed Finish
Frame : Powdered Coated

Warranty: Two Years (Limited)

Product Dimensions:-



- Specifications:-** Material:
- 1) Strainer: SS 304
 - 2) Frame : SG Iron

US & Canada :- +1-678 666 2001
Asia:- +91-9814203010

Krome USA Inc. reserves the right to make revisions to product specifications without any notice
For most updated specification sheet , go to www.aluids.com

ALUIDS