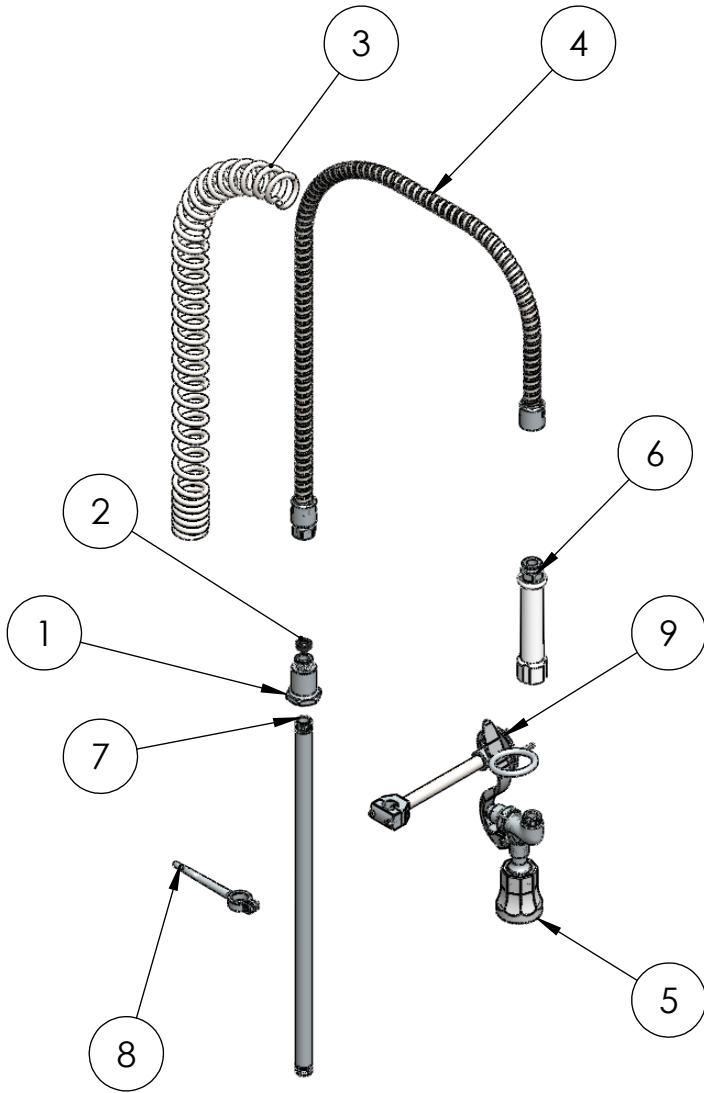
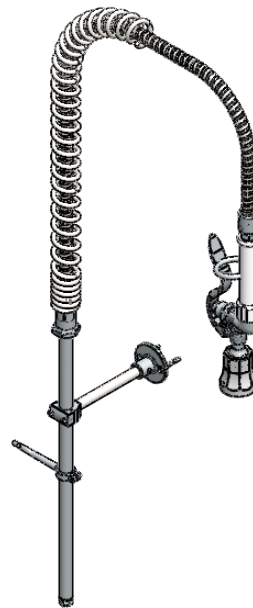


Pre Rinse Faucet & Accessories

Pre-Rinser with 18" Riser, 44" Hose & 1.15GPM Sharp Knife Cutting Style Spray Valve- Less Base Faucet
C9528



ItemNo.	Part No.	Part Name	Material	Qty
1	C8126	Spring Holder	C27400 Lead Free Brass	1
2	C8131	Washer	NBR	1
3	C8129	Spring for Pre Rinse	AISI 1020	1
4	C8244	44" SS Flexible Pipe assembly, Less Handle		1
5	C8042	Low Flow Spray Valve For Pre Rinse 1.2 GPM		1
6	C8042.21	Extention for Pre Rinse Spray Head		1
7	C8062.01	18" Long x 3/8" MPT Rinsers Tube	Brass	1
8	C8066	Pre Rinse Spray Head Rinsers Tube Hook		1
9	C8075	6" Wall Mount Bracket for Upright Pre-Rinse		1



Copyright © 2017 Krome USA Inc. All Rights Reserved