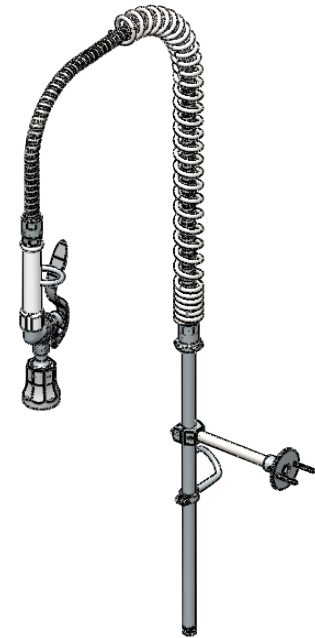
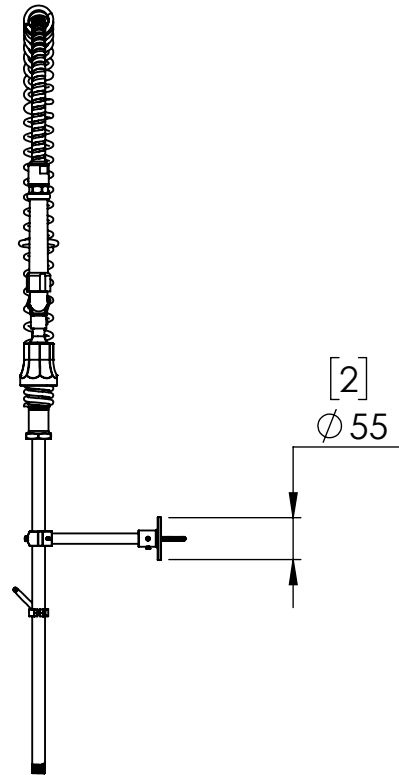
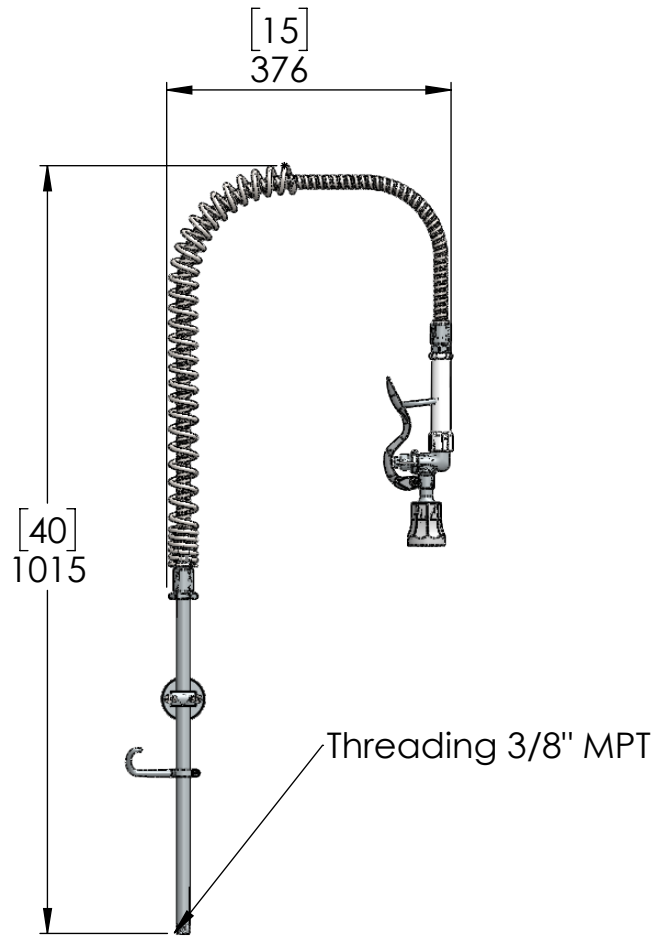


PART NO.-

C9528 line drawing

TITLE-

Pre-Rinser with 18" Riser, 44" Hose & 1.15GPM Sharp  
Knife Cutting Style Spray Valve- Less Base Faucet



All dimensions are in mm, inch (in bracket)

**ALUIDS**

Note:- Information provided for reference only.

\* This document and the information thereon is the property of Krome Dispense Pvt Ltd. & its subsidiaries. Any reproduction in part or as a whole without the written permission of Krome Dispense Pvt Ltd. is prohibited.