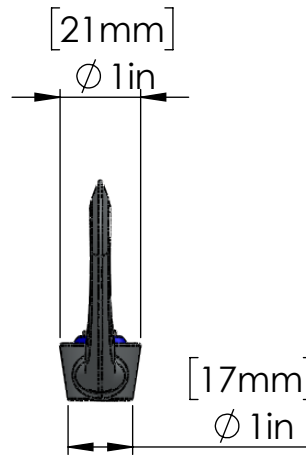
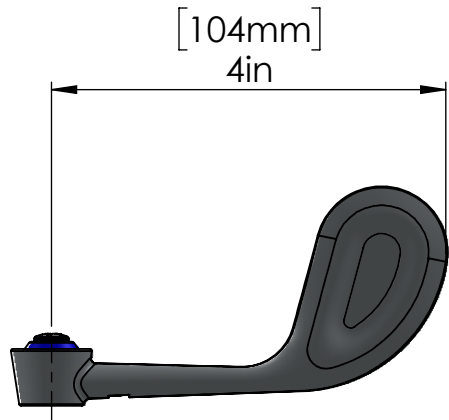
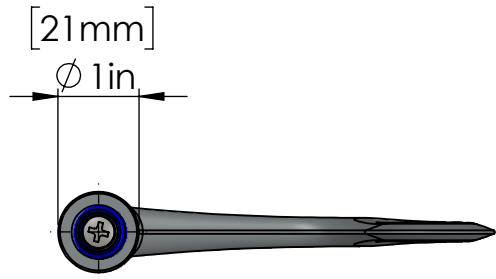


**PART NO.-** C9531

**TITLE-** Wrist Handle Kit



All dimensions are in inches, mm (in bracket)

**ALUIDS**

**Note:-** Information provided for reference only.

\* This document and the information thereon is the property of Krome Dispense Pvt Ltd. & its subsidiaries. Any reproduction in part or as a whole without the written permission of Krome Dispense Pvt Ltd. is prohibited.