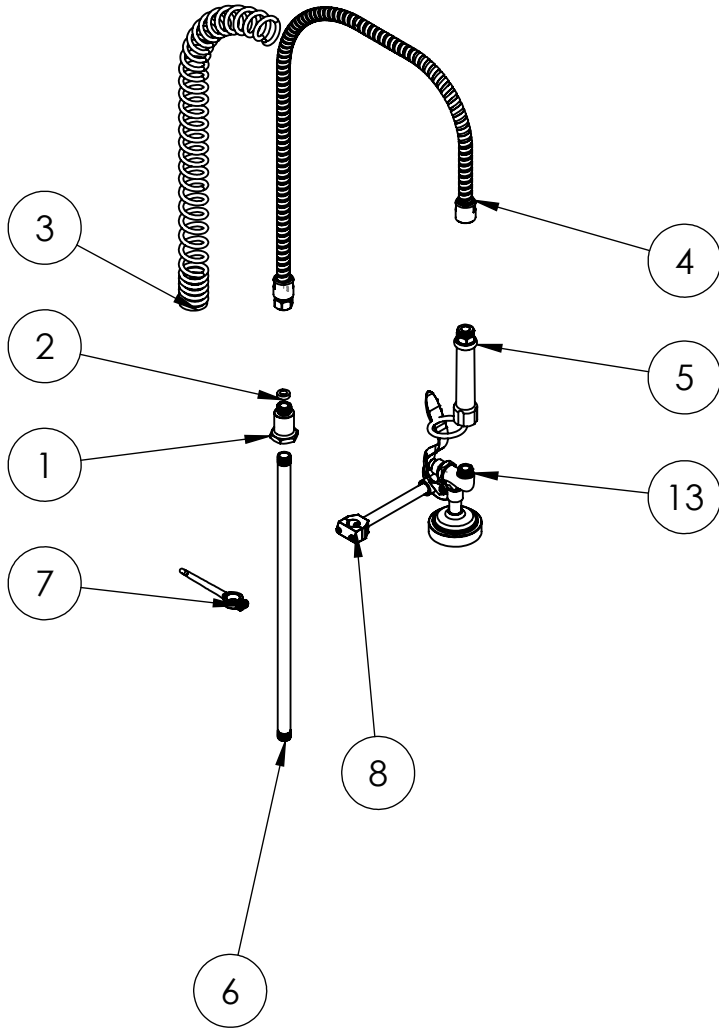
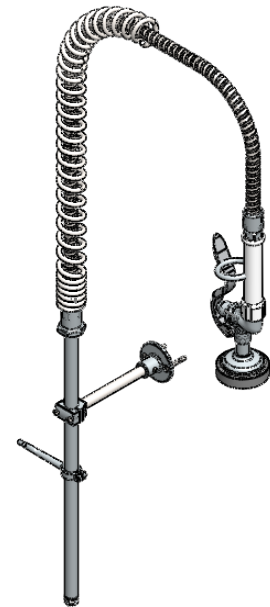


Pre Rinse Faucet & Accessories

Pre-Rinse with 18" Riser, 44" Hose & 1.15GPM Shower
 Spray Valve- Less Base Faucet Aluids
C9527



ItemNo.	Part No.	Part Name	Material	Qty
1	C8126	Spring Holder	C27400 Lead Free Brass	1
2	C8131	Washer	NBR	1
3	C8129	Spring for Pre Rinse	AISI 1020	1
4	C8244	44" SS Flexible Pipe assembly, Less Handle		1
5	C8042.21	Extention for Pre Rinse Spray Head		1
6	C8062.01	18" Long x 3/8" MPT Rinser Tube	Brass	1
7	C8066	Pre Rinse Spray Head Rinser Tube Hook		1
8	C8075	6" Wall Mount Bracket for Upright Pre-Rinse		1
13	C9526	Spray Valve for Pre Rinse 1.15 GPM		1



Copyright © 2017 Krome USA Inc. All Rights Reserved

US & Canada :- +1-678 666 2001
 Asia:- +91-9814203010

Krome USA Inc. reserves the right to make revisions to product specifications without any notice
 For most updated specification sheet , go to