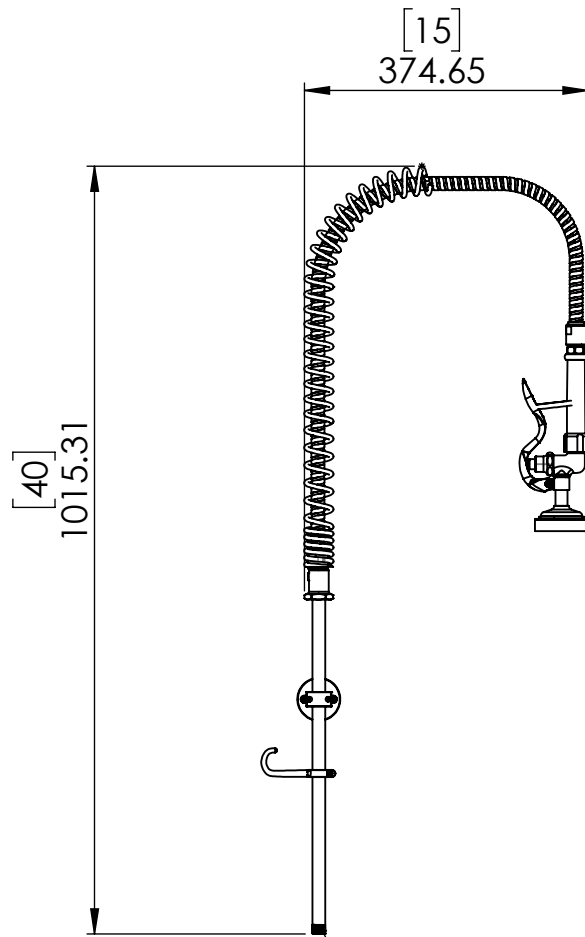


PART NO.-

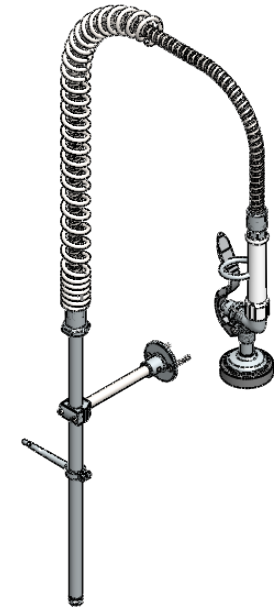
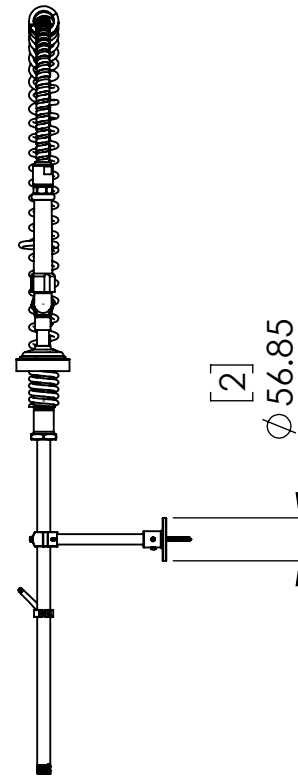
C9527 line drawing

TITLE-

Pre-Rinse with 18" Riser, 44" Hose & 1.15GPM Shower
Spray Valve- Less Base Faucet Aluids



Threading 3/8" MPT



All dimensions are in mm, inch (in bracket)

ALUIDS

Note:- Information provided for reference only.

* This document and the information thereon is the property of Krome Dispense Pvt Ltd. & its subsidiaries. Any reproduction in part or as a whole without the written permission of Krome Dispense Pvt Ltd. is prohibited.