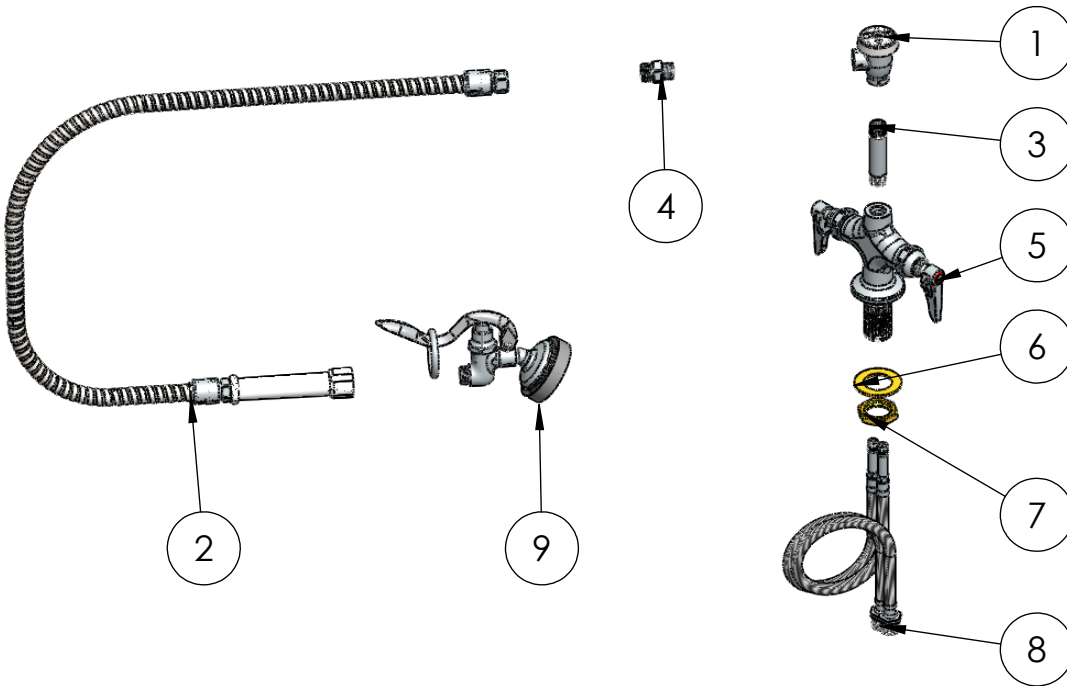




| ItemNo. | Part No. | Part Name | Qty. |
|---------|-----------------|---|------|
| 1 | C8552 | 3/8" Atmospheric Vacuum Breaker | 1 |
| 2 | C8265 | 72" SS Flexible Pipe for Pre-Faucet, Grip Handle | 1 |
| 3 | C8173.0 1.02 | Nipple, 3/8" NPT x 3" | 1 |
| 4 | C8553.0 1 | Male Connector 3/8" NPT to 3/4 UNS | 1 |
| 5 | C8443.5 0 | Long Height Double Lever Single Hole Deck Mount Base Faucet - Heavy Duty Sub-assembly | 1 |
| 6 | C8443.0 2 | Washer for Long Height Double Lever Single Hole Deck Mount Base Faucet | 1 |
| 7 | C8443.0 3 | 1 1/8" UNEF Nut for Long Height Double Lever Single Hole Deck Mount Base Faucet | 1 |
| 8 | C8696 | 18" Flexible Stainless Steel Supply Hose | 2 |
| 9 | C9519 | Angled Pre-Rinse Spray Head-1.42 GPM | 1 |



US & Canada :- +1-678 666 2001
 Asia:- +91-9814203010

Krome USA Inc. reserves the right to make revisions to product specifications without any notice
 For most updated specification sheet , go to