

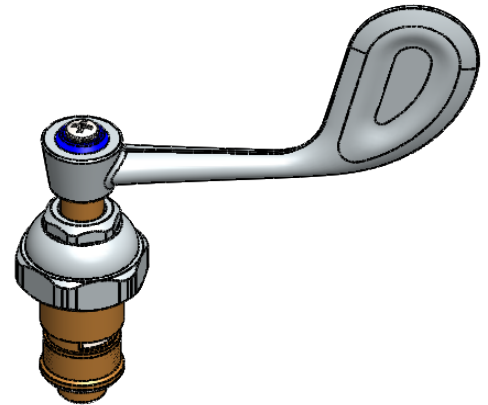
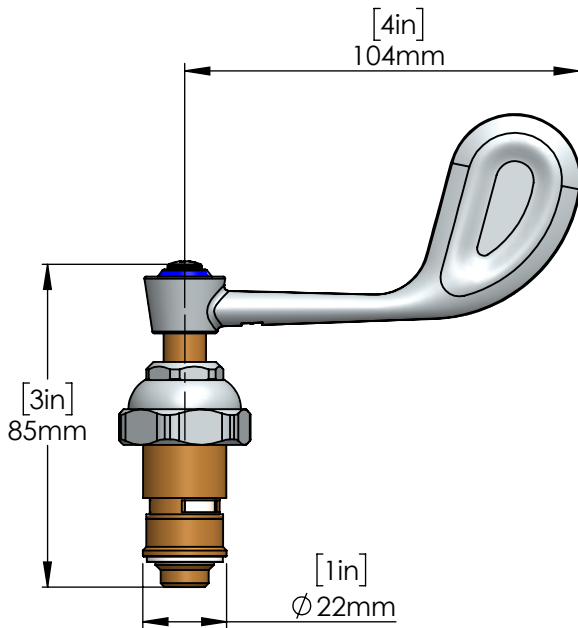
For Residential and Commercial Applications

Job Name _____
Job Location _____
Engineer _____
Approval _____

Contractor _____
Approval _____
Contractor's P.O. No. _____
Representative _____

Series:

Ceramic Cartridge With Wrist Handle, Index, Screw (COLD)
C9535



Features & Benefits:

- Easy Installation, Non Corrosive, Economical, Durable
- Suitable for Cold Quarter Turn Faucet/Valve/Taps of Bathroom/Kitchen, Angel Cock, Commercial Faucet Application
- Solid Brass Body with high quality ceramic disc insert
- Fits all Aluids & top most brands faucet

Product Compliance:

- California proposition 65

Warranty: One Years (Limited)

NOTICE

The information contained herein is not intended to replace the full product installation and safety information available or the experience of a trained product installer. You are required to thoroughly read all installation instructions and product safety information before beginning the installation of this product.



US & Canada :- +1-678 666 2001

Krome product Specifications in U.S. customary units and metric are approximate and are provided for reference only. For precise measurements, please contact Krome Technical Service. Krome reserves the right to change or modify product design, construction, specifications, or materials without prior notice and without incurring any obligation to make such changes and modifications on Krome products previously or subsequently sold. For most updated specification sheet, go to