

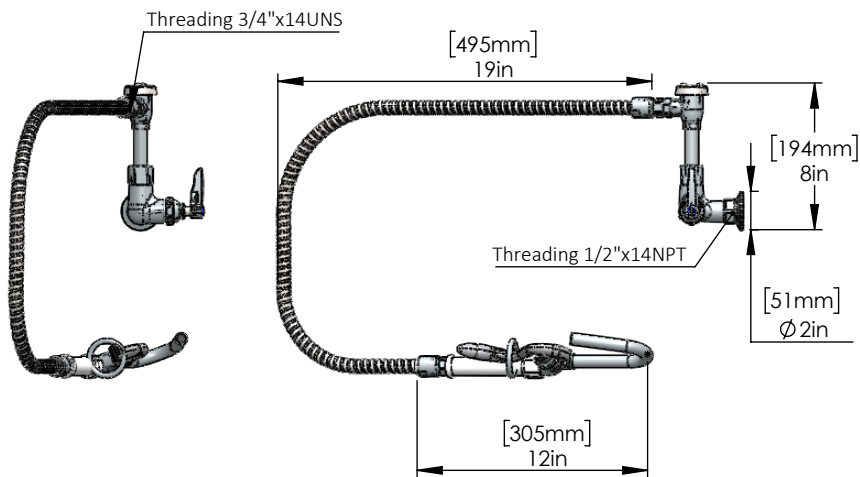
For Residential and Commercial Applications

Job Name _____
 Job Location _____
 Engineer _____
 Approval _____

Contractor _____
 Approval _____
 Contractor's P.O. No. _____
 Representative _____

Series:

Single Wall Mount Pot Filler
 C8554



Features & Benefits:

- Good quality and Suitable to use.
- Built-in vacuum breaker
- Now, Fill the cooking container easily and quickly without the walk from sink to stove
- Plastic coated wall hook with chrome plated base
- Built-in check valves
- Single Wall Mount
- 1/2" NPT Female Eccentric Flange
- Lever Handles with color Indexes
- Compression cartridges with spring checks
- Pot Filler head
- Built in Vacuum Breaker
- "72"" flexible hoses."

Optional Cartridges With Checks:

- Quarter-Turn Cerama w/ Check Valve
- Quarter-Turn Eterna w/ Spring Check (Standard)

Product compliance:

- California Propostions 65

Warranty: one Years(Limited)

Performance Data:

- Pressure: 20 - 125 psi [1.38 - 8.62 bar]
- Temperature: 40° F - 140° F [4.44° C - 60° C]
- Spray Valve 1.42 GPM

Optional Handles:

- 4" Wrist Action
- Lever

NOTICE

The information contained herein is not intended to replace the full product installation and safety information available or the experience of a trained product installer. You are required to thoroughly read all installation instructions and product safety information before beginning the installation of this product.



US & Canada :- +1-678 666 2001

Krome product Specifications in U.S. customary units and metric are approximate and are provided for reference only. For precise measurements, please contact Krome Technical Service. Krome reserves the right to change or modify product design, construction, specifications, or materials without prior notice and without incurring any obligation to make such changes and modifications on Krome products previously or subsequently sold. For most updated specification sheet, go to