

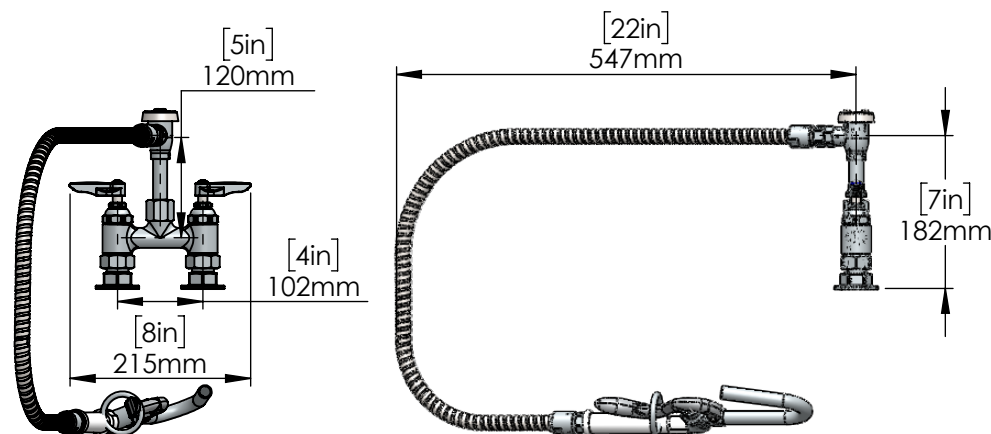
For Residential and Commercial Applications

Job Name _____
 Job Location _____
 Engineer _____
 Approval _____

Contractor _____
 Approval _____
 Contractor's P.O. No. _____
 Representative _____

Series:

Deck Mount 4" Center pot filler
 C8605



Features & Benefits:

- 1/2" NPT Female Eccentric Flange
- Lever Handles with HOT & COLD Indexes
- Compression cartridges with spring checks
- Good quality and Suitable to use.
- built-in back flow prevented
- 72" heavy-duty stainless steel clad flexible hose
- Built-in vacuum breaker
- Full replacement parts available
- Its close combination can really achieve 100% leak protection. And saves water wastage
- Provide stable water pressure and smooth rotation.

Product Compliance:

- California proposition 65

Material:

- Lead Free Brass

Warranty: One Years (Limited)

Performance Data:

- Pressure: 20 - 125 psi [1.38 - 8.62 bar]
- Temperature: 40° F - 140° F [4.44° C - 60° C]

NOTICE

The information contained herein is not intended to replace the full product installation and safety information available or the experience of a trained product installer. You are required to thoroughly read all installation instructions and product safety information before beginning the installation of this product.

Optional Cartridges With Checks

- Quarter-Turn Cerama w/ Check Valve(Standard)
- Quarter-Turn Eterna w/ Spring Check



US & Canada :- +1-678 666 2001

Krome product Specifications in U.S. customary units and metric are approximate and are provided for reference only. For precise measurements, please contact Krome Technical Service. Krome reserves the right to change or modify product design, construction, specifications, or materials without prior notice and without incurring any obligation to make such changes and modifications on Krome products previously or subsequently sold. For most updated specification sheet, go to