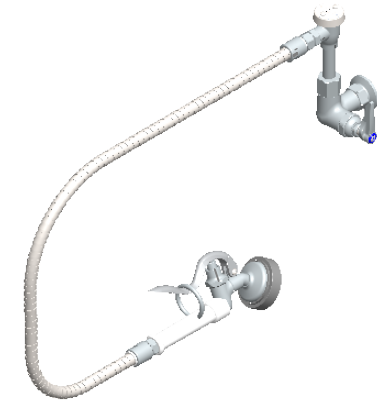
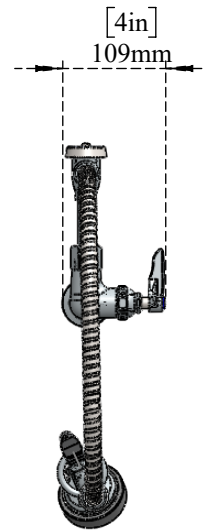
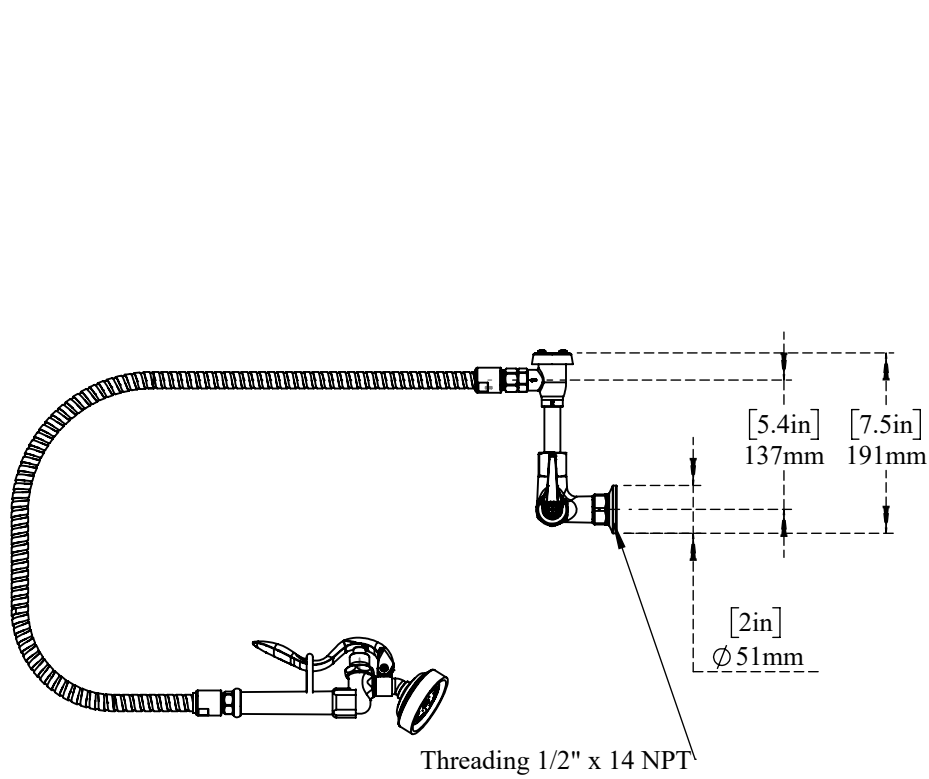


PART NO.-

C8594 Line Drawing

TITLE-

Single Wall Mount Utility Spray



All dimensions are in mm, inches (in bracket)



Note:- Information provided for reference only.

\* This document and the information thereon is the property of Krome Dispense Pvt Ltd. & its subsidiaries. Any reproduction in part or as a whole without the written permission of Krome Dispense Pvt Ltd. is prohibited.