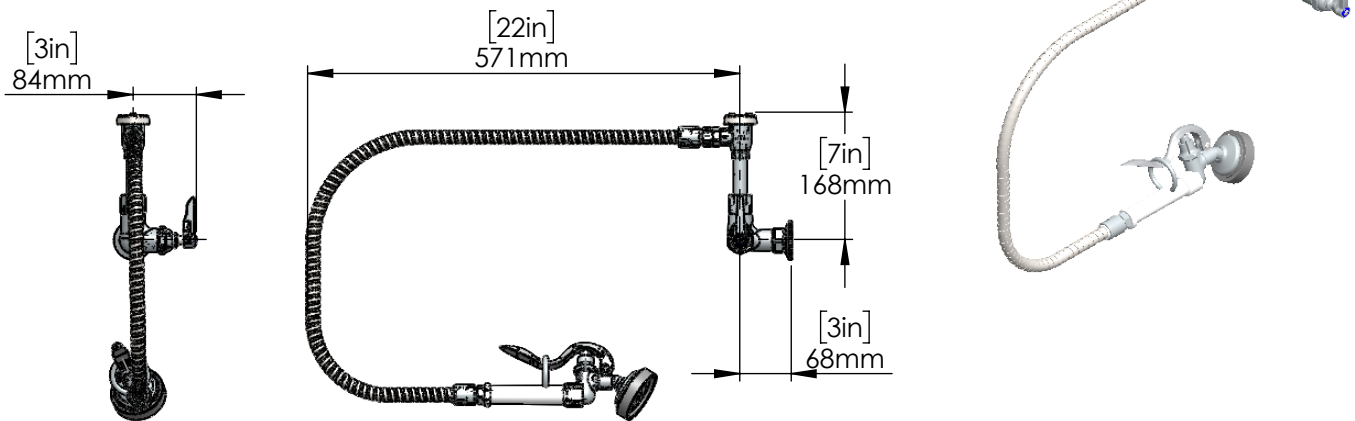


For Residential and Commercial Applications

Job Name _____ Contractor _____
Job Location _____ Approval _____
Engineer _____ Contractor's P.O. No. _____
Approval _____ Representative _____

Series:

Single Deck Mount Utility Spray with 1.42 GPM
C8594



Features & Benefits:

- Utility spray faucet with Vacuum breaker
- Single hole Deck Mount Utility Spray
- Brass with chrome plating utility spray assembly
- Easy to clean and Saves your time

Product Compliance:

- California proposition 65

Performance Data:

- Pressure: 20 - 125 psi [1.38 - 8.62 bar]
- Temperature: 40° F - 140° F [4.44° C - 60° C]
- Spray Valve 1.42 GPM

Warranty: One Years (Limited)

Optional Cartridges With Checks

- Quarter-Turn Cerama w/ Check Valve
- Quarter-Turn Eterna w/ Spring Check (Standard)

Optional Handles:

- 4" Wrist Action
- Lever

NOTICE

The information contained herein is not intended to replace the full product installation and safety information available or the experience of a trained product installer. You are required to thoroughly read all installation instructions and product safety information before beginning the installation of this product.



US & Canada :- +1-678 666 2001

Krome product Specifications in U.S. customary units and metric are approximate and are provided for reference only. For precise measurements, please contact Krome Technical Service. Krome reserves the right to change or modify product design, construction, specifications, or materials without prior notice and without incurring any obligation to make such changes and modifications on Krome products previously or subsequently sold. For most updated specification sheet, go to