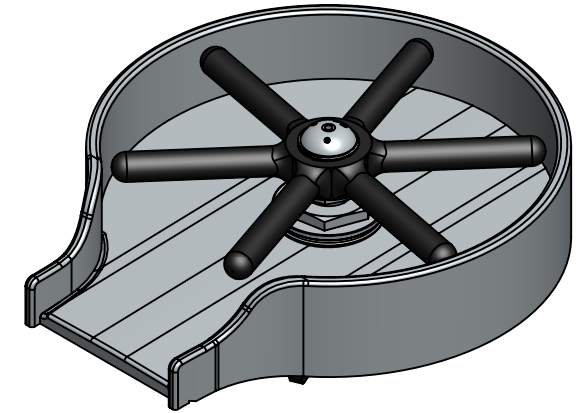
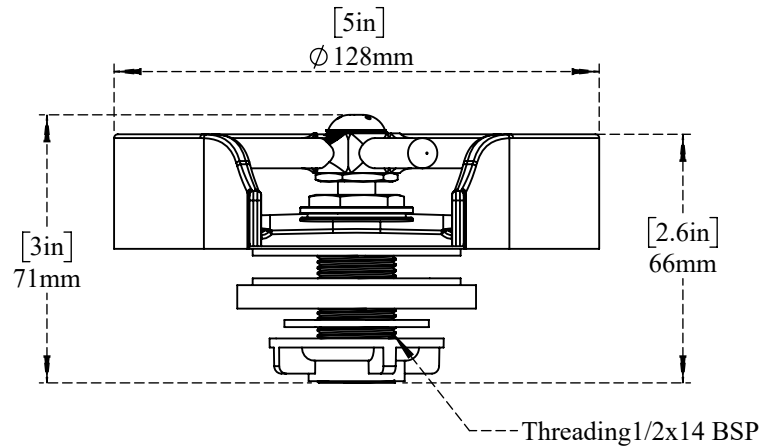
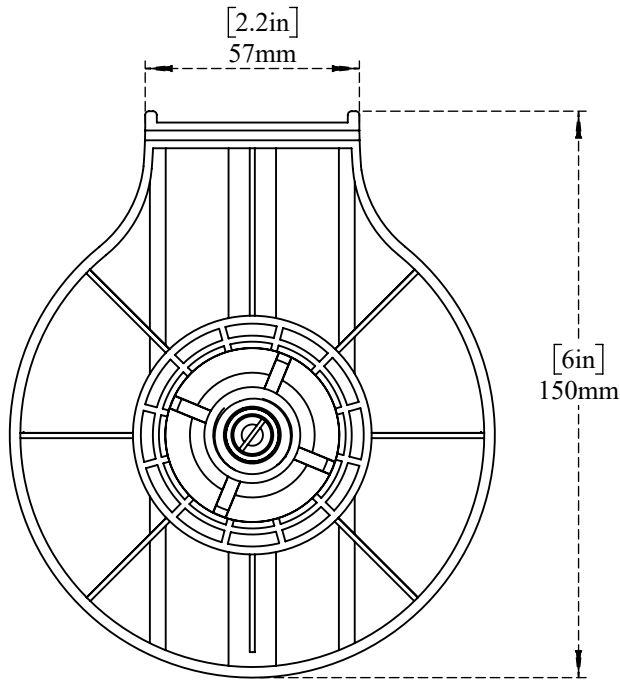


PART NO.-

C4400-V2 Line

TITLE-

The Original Kitchen Rinser



All dimensions are in mm, inches (in bracket)



Note:- Information provided for reference only.

* This document and the information thereon is the property of Krome Dispense Pvt Ltd. & its subsidiaries. Any reproduction in part or as a whole without the written permission of Krome Dispense Pvt Ltd. is prohibited.