

For Residential and Commercial Applications

Job Name _____
 Job Location _____
 Engineer _____
 Approval _____

Contractor _____
 Approval _____
 Contractor's P.O. No. _____
 Representative _____

Series

24" linear shower drain

Sizes:

Linear Shower Drain sizes from 24" to 48"

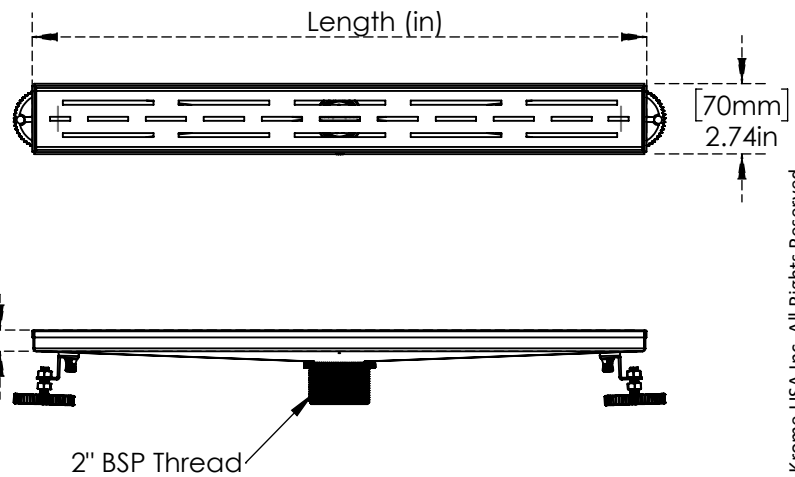
Features & Benefits:

- Brushed 304 Stainless Steel Drain.
- Works with US-standard no-hub drain base.
- Option of Different grate style patterns.
- PVC construction of the base flange.
- Spare Parts available.

Dimensions:

Part Number	Name	Length(in)
C8954	24" Linear Shower Drain	24"
C8955	28" Linear Shower Drain	28"
C8956	32" Linear Shower Drain	32"
C8957	36" Linear Shower Drain	36"
C8958	48" Linear Shower Drain	48"

C8954 Series



NOTICE

The information contained herein is not intended to replace the full product installation and safety information available or the experience of a trained product installer. You are required to thoroughly read all installation instructions and product safety information before beginning the installation of this product.



US & Canada :- +1-678 666 2001

Krome product Specifications in U.S. customary units and metric are approximate and are provided for reference only. For precise measurements, please contact Krome Technical Service. Krome reserves the right to change or modify product design, construction, specifications, or materials without prior notice and without incurring any obligation to make such changes and modifications on Krome products previously or subsequently sold. For most updated specification sheet, go to www.aluids.com