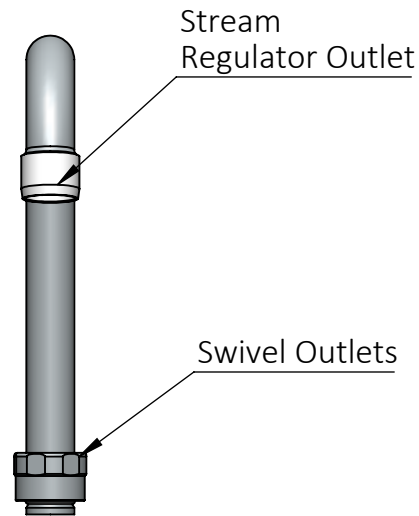
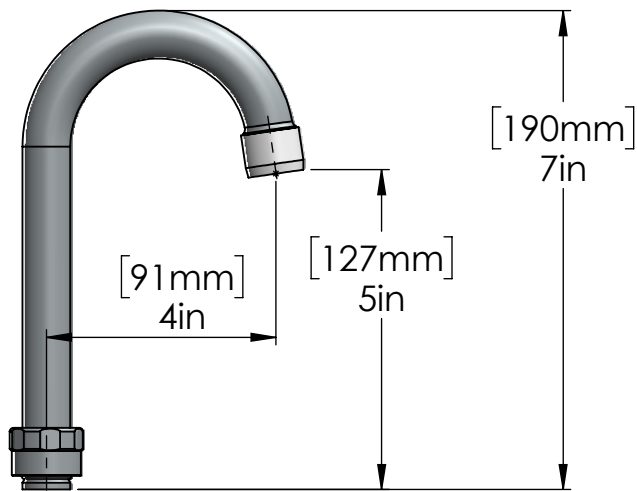
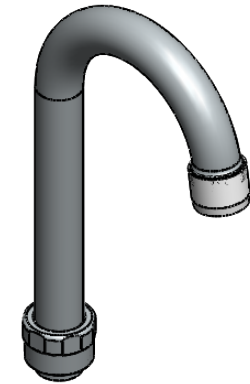


PART NO.-

C8259 Line Drawing

TITLE-

Economy Swivel Gooseneck, 7-1/2" Height, 4-1/4" Spread, 5-1/2"



ALUIDS

Note:- Information provided for reference only.

All dimensions are in inches, mm (in bracket)

* This document and the information thereon is the property of Krome Dispense Pvt Ltd. & its subsidiaries. Any reproduction in part or as a whole without the written permission of Krome Dispense Pvt Ltd. is prohibited.