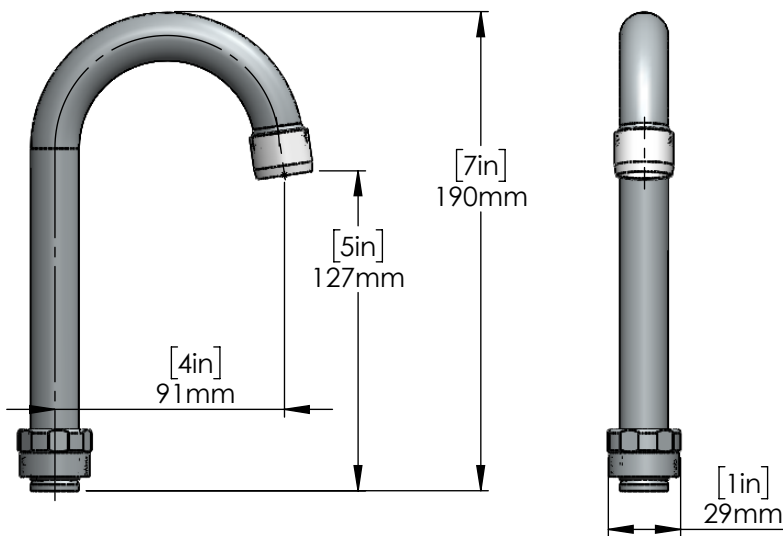


For Residential and Commercial Applications

Job Name _____
 Job Location _____
 Engineer _____
 Approval _____

Contractor _____
 Approval _____
 Contractor's P.O. No. _____
 Representative _____

Series: Economy Swivel Gooseneck,
 7-1/2" Height, 4-1/4" Spread, 5-1/2
 C8259



Features & Benefits:

- Swing Nozzles Stream regulator outlet
- 1/2" NPT Female Eccentric Flange
- Lever Handles with Hot and Cold indicators
- Compression cartridges with spring checks
- Free flow Aerator

Product Compliance:

- California proposition 65

Material: Brass

Warranty: One Years (Limited)

Performance Data:

- Pressure: 20 - 125 psi
- Temperature: 40° F - 140°F

NOTICE

The information contained herein is not intended to replace the full product installation and safety information available or the experience of a trained product installer. You are required to thoroughly read all installation instructions and product safety information before beginning the installation of this product.



US & Canada :- +1-678 666 2001

Krome product Specifications in U.S. customary units and metric are approximate and are provided for reference only. For precise measurements, please contact Krome Technical Service. Krome reserves the right to change or modify product design, construction, specifications, or materials without prior notice and without incurring any obligation to make such changes and modifications on Krome products previously or subsequently sold. For most updated specification sheet, go to

Copyright © 2017 Krome USA Inc. All Rights Reserved
 Date: 7/7/2023
 Revision: 01