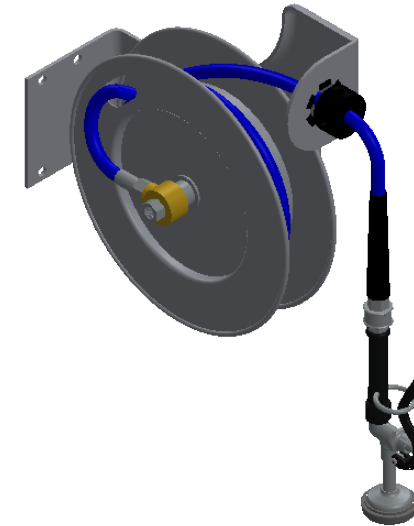
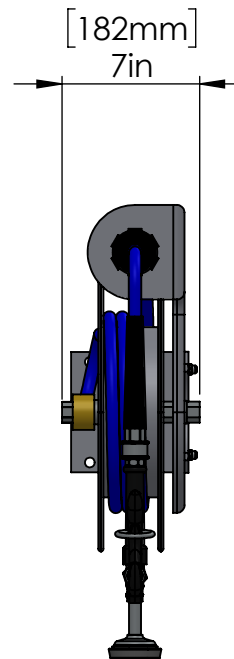
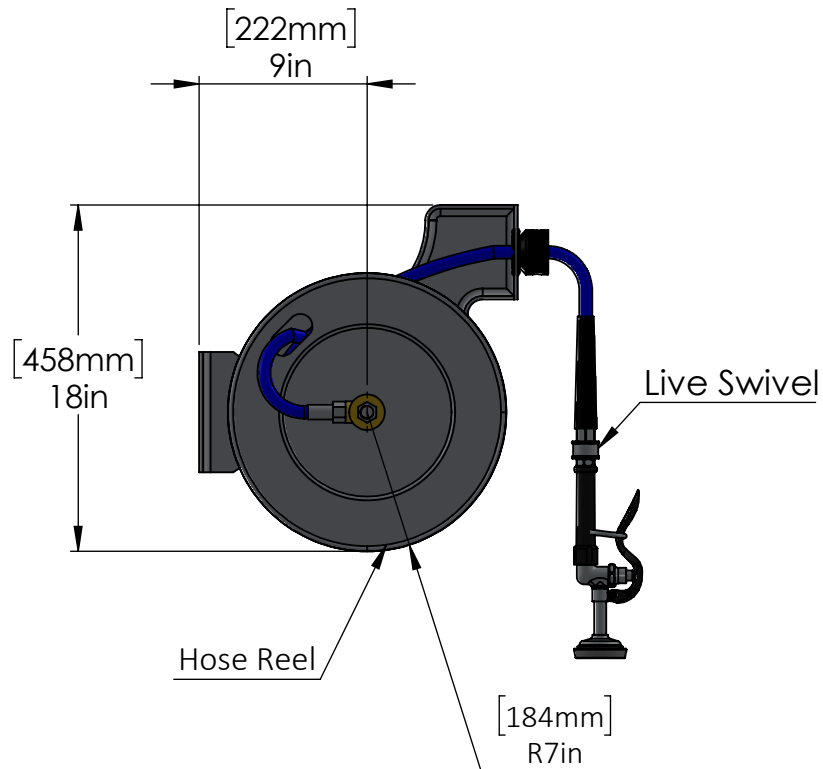
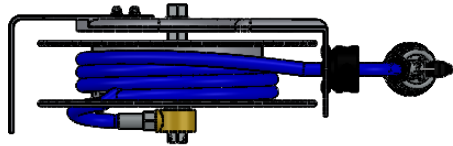


PART NO.- C8269Line Drawing

TITLE- Kitchen Cleaning Water Hose Reel 16mtr



**ALUIDS**

Note:- Information provided for reference only.

All dimensions are in inches, mm (in bracket)

\* This document and the information thereon is the property of Krome Dispense Pvt Ltd. &its subsidiaries. Any reproduction in part or as a whole without the written permission of Krome Dispense Pvt Ltd. is prohibited.