

For Residential and Commercial Applications

Job Name _____
 Job Location _____
 Engineer _____
 Approval _____

Contractor _____
 Approval _____
 Contractor's P.O. No. _____
 Representative _____

Series:

Quarter-turn Ceramic cartridge with check valve-Hot C8635

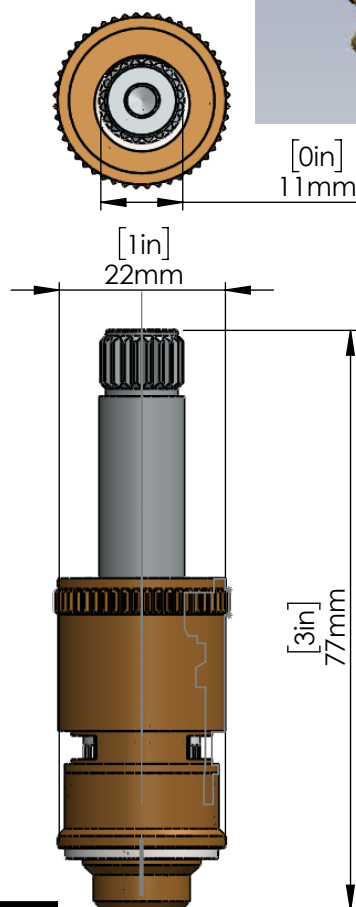
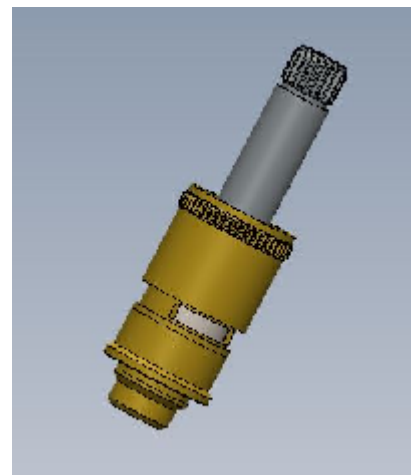
Features & Benefits:

- Quarter-turn Ceramic cartridge with a check valve to prevent cross-flow of water.
- Easy Installation, Non-Corrosive, Economical, and Durable.
- It is Suitable for Hot and Cold Quarter Turn faucets/valves/Taps of Bathroom/Kitchen, Angel Cock, and Commercial Faucet Applications.
- Made of higher quality Brass and superior quality ceramic disc. Thus, It Is a Strong And Durable Solution For Your Dripping Taps / Faucets.
- Avoid pollution to water quality and save water leakage.

Product Compliance:

- California proposition 65

Warranty: One Years (Limited)



NOTICE

The information contained herein is not intended to replace the full product installation and safety information available or the experience of a trained product installer. You are required to thoroughly read all installation instructions and product safety information before beginning the installation of this product.



US & Canada :- +1-678 666 2001

Krome product Specifications in U.S. customary units and metric are approximate and are provided for reference only. For precise measurements, please contact Krome Technical Service. Krome reserves the right to change or modify product design, construction, specifications, or materials without prior notice and without incurring any obligation to make such changes and modifications on Krome products previously or subsequently sold. For most updated specification sheet, go to