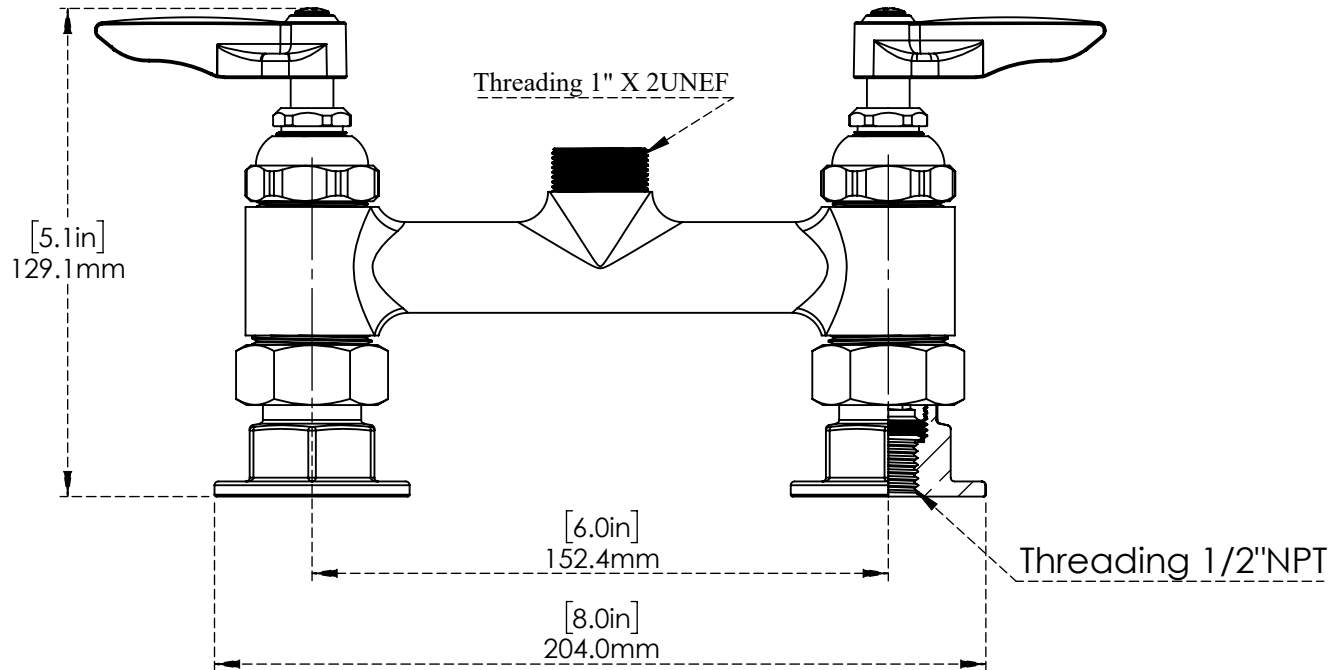
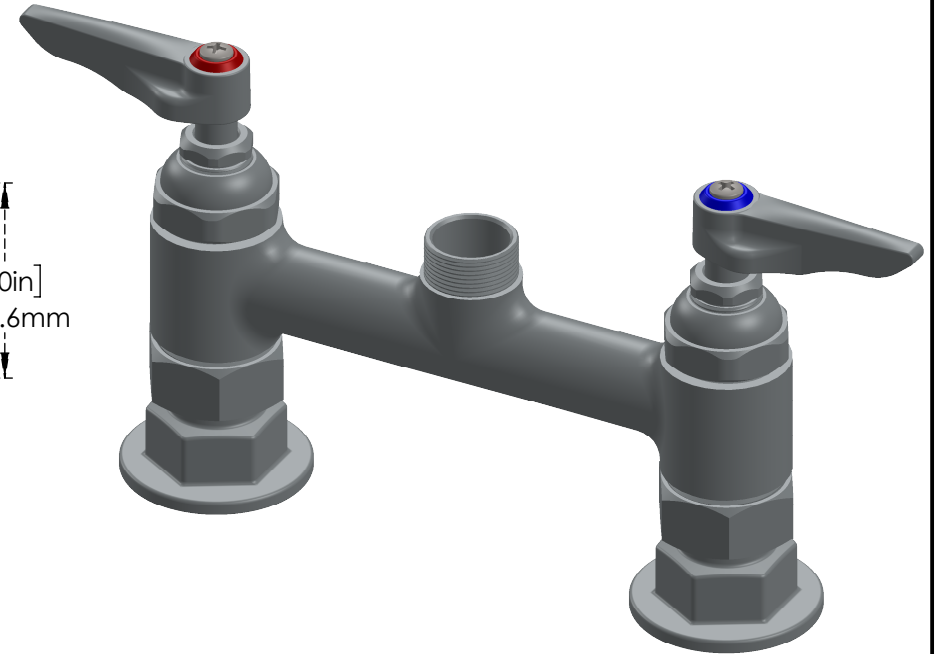
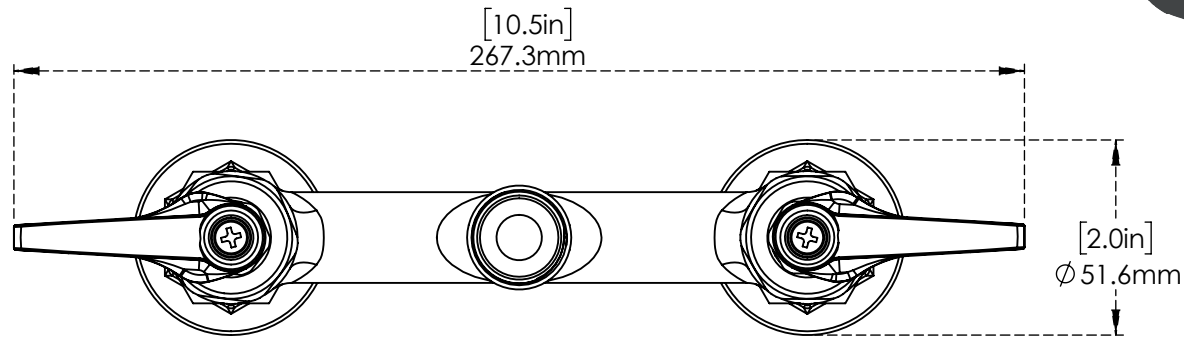


PART NO.-

C8637 Line drawing

TITLE- Double Pantry Deck Mount, 6" Centers, Swivel Base Faucet



All dimensions are mm, Inches (in bracket)

ALUIDS

Note:- Information provided for reference only.

* This document and the information thereon is the property of Krome Dispense Pvt Ltd. & its subsidiaries. Any reproduction in part or as a whole without the written permission of Krome Dispense Pvt Ltd. is prohibited.