

## Pantry Faucets

6" center Deck Mounted Swivel  
Base Faucet body  
**C8637**



**C8637**

Polished CP

### Features & Benefits:

- 1/2" NPT Female Eccentric
- Flange Lever Handles with Hot and Cold indicators
- Compression cartridges with spring checks
- Body Workboard

### Performance Data:

- Pressure: 20 - 125 psi
- Temperature: 40°F - 140°F
- Flow Rate: Free flow outlet aerator

### Product Compliance:

- California Proposition 65

**Warranty:** Three Years (Limited)

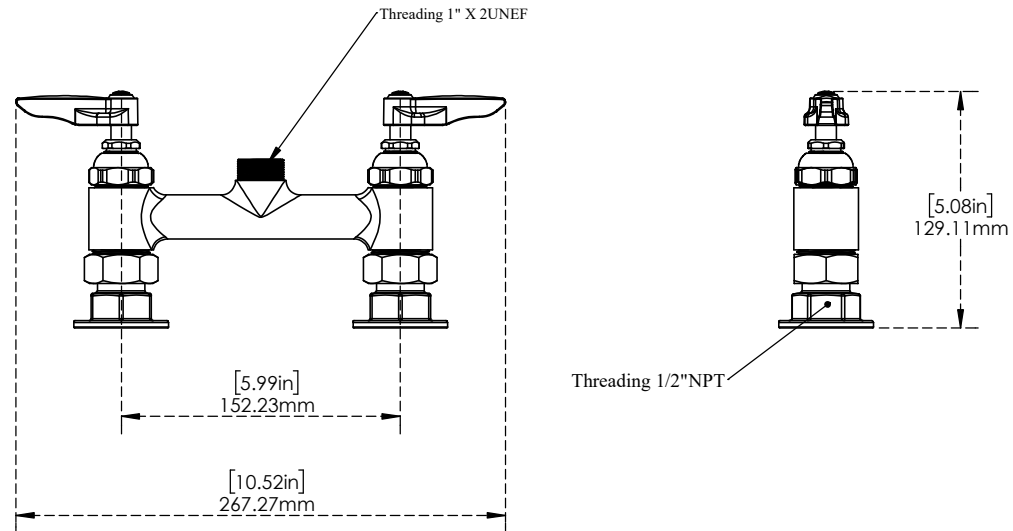


US & Canada :- +1-678 666 2001

Asia:- +91-9814203010

Krome USA Inc. reserves the right to make revisions to product specifications without any notice  
For most updated specification sheet , go to

**Product Dimensions:**



**Options Available:**

Part Number	Part Name	Finish	Mount Type
C8277.50	Double Pantry Deck Mount, 4" Center, Swivel Base Faucet	Polished Chrome	Deck Mount
C8108	Double Pantry Deck Mount Rigid Base Faucet, 8" Centers	Polished Chrome	Deck Mount

Copyright © 2017 Krome USA Inc. All Rights Reserved

Revision : 01