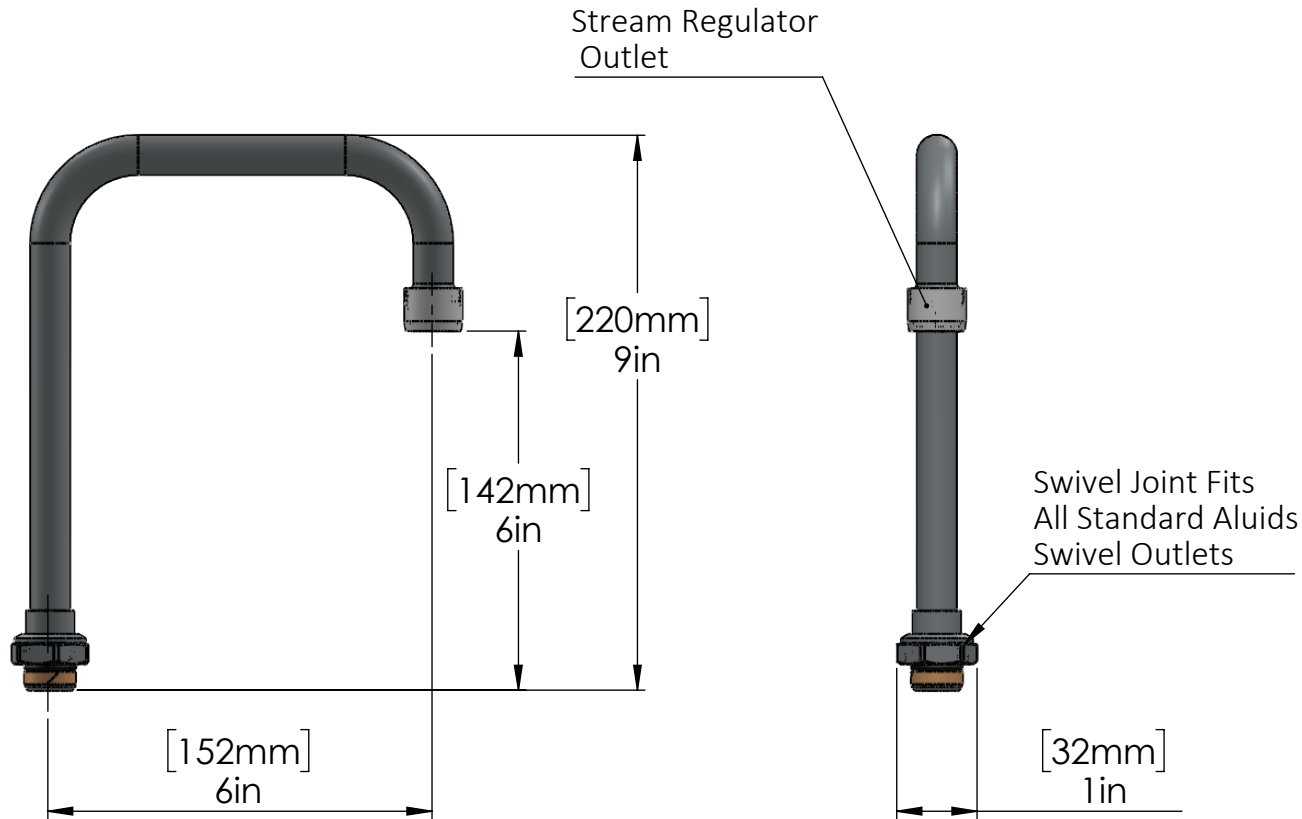


PART NO.-

C8547 Line Drawing

TITLE- 6" Wide Double Bend Spout



<b>ALUIDS</b>	<b>Note:-</b> Information provided for reference only.
* This document and the information thereon is the property of Krome Dispense Pvt Ltd. & its subsidiaries. Any reproduction in part or as a whole without the written permission of Krome Dispense Pvt Ltd. is prohibited.	

All dimensions are in inches, mm (in bracket)