

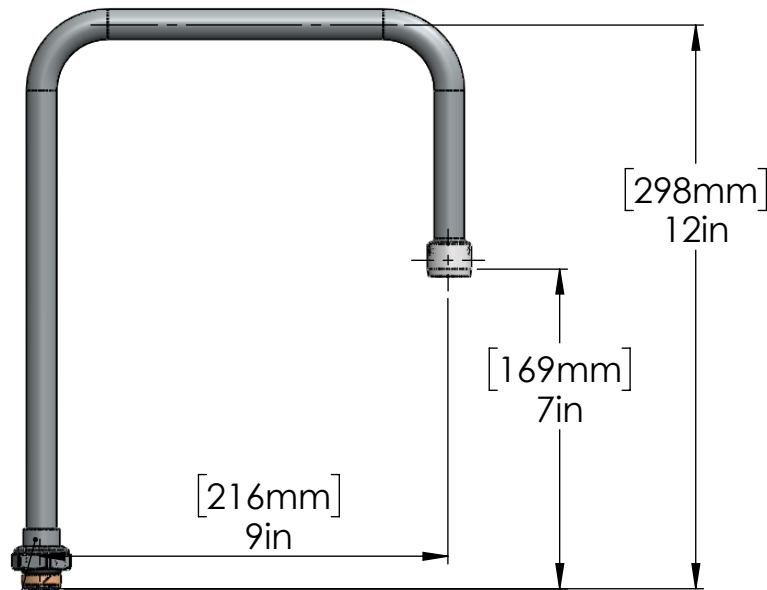
PART NO.-

C8548 Line Drawing

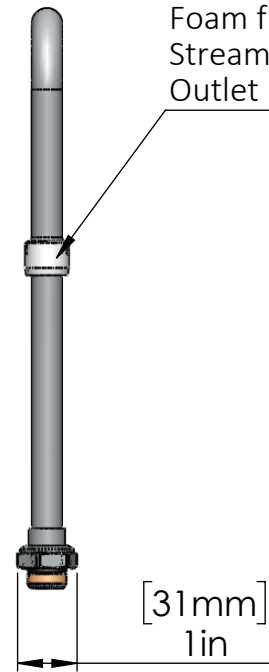
TITLE-

Wide Double Bend Spout with Stream Regulator Outlet

Swivel Joint Fits
All Standard Aluids
Swivel Joint



Foam flow
Stream Regulator
Outlet



ALUIDS

Note:- Information provided for reference only.

All dimensions are in inches, mm (in bracket)

* This document and the information thereon is the property of Krome Dispense Pvt Ltd. & its subsidiaries. Any reproduction in part or as a whole without the written permission of Krome Dispense Pvt Ltd. is prohibited.