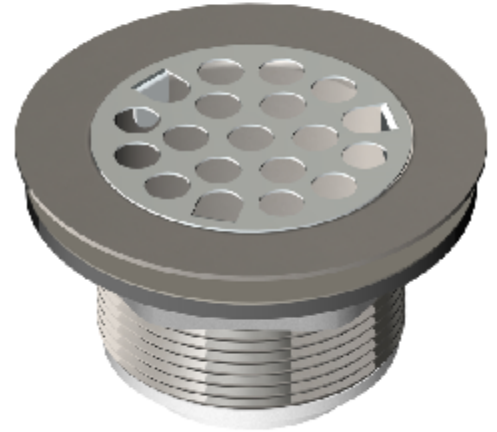


Job Name \_\_\_\_\_  
 Job Location \_\_\_\_\_  
 Engineer \_\_\_\_\_  
 Approval \_\_\_\_\_

Contractor \_\_\_\_\_  
 Approval \_\_\_\_\_  
 Contractor's P.O. No. \_\_\_\_\_  
 Representative \_\_\_\_\_

**Series: Drains**

1-1/2" Full Flange Stainless steel  
 Drain with Face strainer  
 C8034

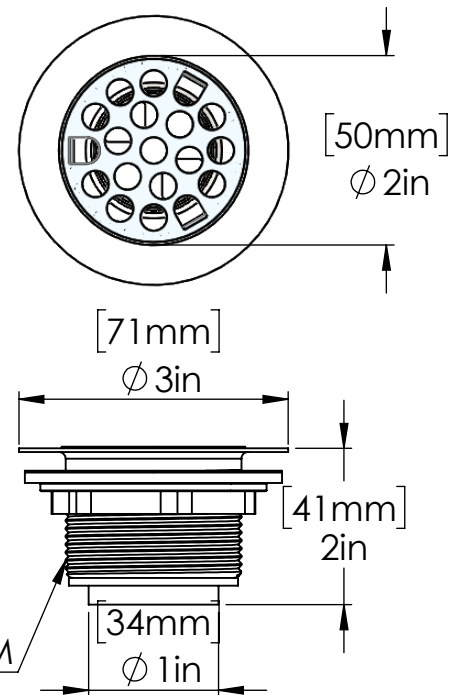


**Features & Benefits:**

- Simple to install drain assembly
- Complete stainless steel construction
- Has 1-1/2" Full Flange
- Protect the blockage of water in drain pipe
- Stainless steel material which keep it safe from Corrosion.

**Material:**

- Stainless steel



Threading 1-1/2"x11.5NPSM

**NOTICE**

The information contained herein is not intended to replace the full product installation and safety information available or the experience of a trained product installer. You are required to thoroughly read all installation instructions and product safety information before beginning the installation of this product.



US & Canada :- +1-678 666 2001

Krome product Specifications in U.S. customary units and metric are approximate and are provided for reference only. For precise measurements, please contact Krome Technical Service. Krome reserves the right to change or modify product design, construction, specifications, or materials without prior notice and without incurring any obligation to make such changes and modifications on Krome products previously or subsequently sold. For most updated specification sheet, go to