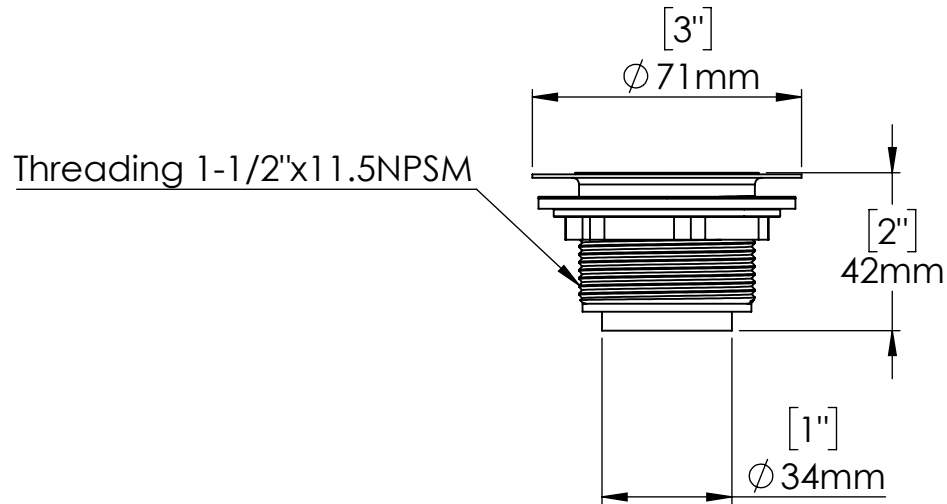
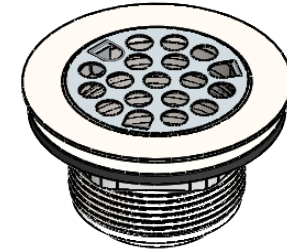
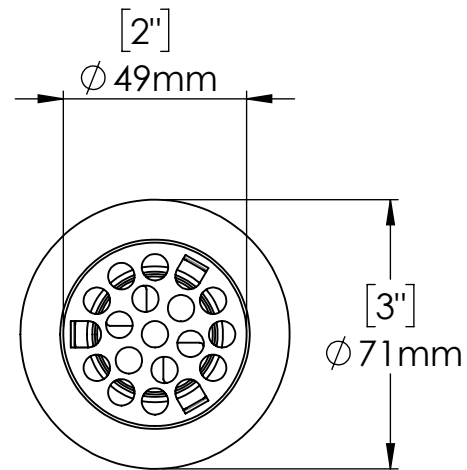


PART NO.-

C8034 line drawing

TITLE-

1-1/2" Full Flange Stainlesssteel Drain



All dimensions are in mm, inches (in bracket)

**ALUIDS**

Note:- Information provided for reference only.

\* This document and the information thereon is the property of Krome Dispense Pvt Ltd. & its subsidiaries. Any reproduction in part or as a whole without the written permission of Krome Dispense Pvt Ltd. is prohibited.