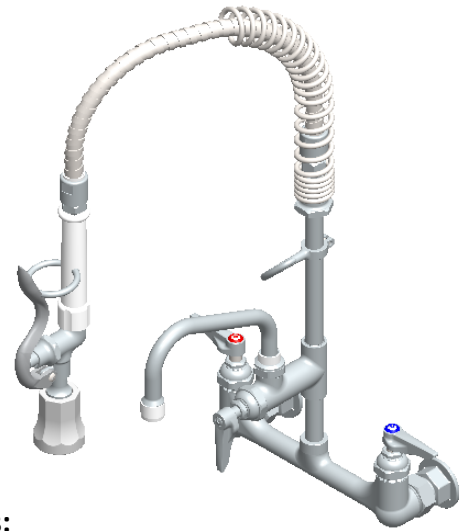
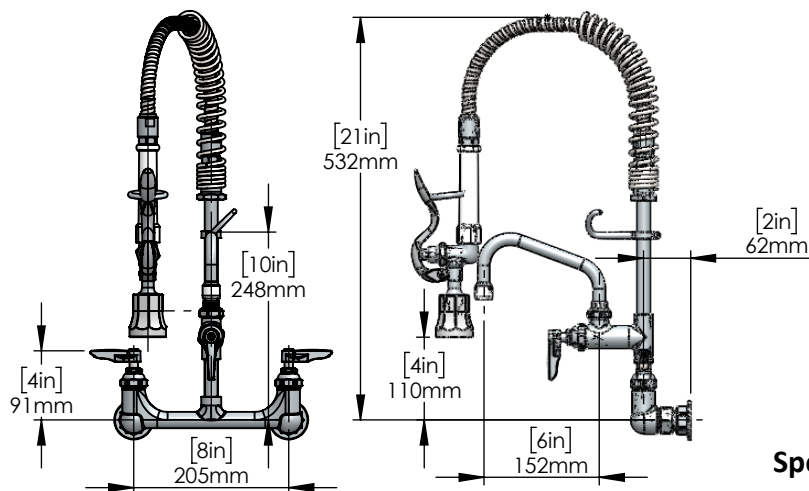


# For Residential and Commercial Applications

Job Name \_\_\_\_\_  
 Job Location \_\_\_\_\_  
 Engineer \_\_\_\_\_  
 Approval \_\_\_\_\_

Contractor \_\_\_\_\_  
 Approval \_\_\_\_\_  
 Contractor's P.O. No. \_\_\_\_\_  
 Representative \_\_\_\_\_

**Series:** Pre Rinse  
 8" Center Wall Mount Space Saver Pre-Rinse  
 C8461



**Features & Benefits:**

- Heat resistant black handle and hold down ring
- Lever handles with colorful coded screws
- Quarter-turn ceramic cartridges
- adjustable centers
- Perfect for commercial kitchen or Residential Utility kitchen sinks
- Low height commercial kitchen dishwasher faucet is constructed from lead-free brass.

**Performance Data:**

- Pressure: 20 - 125 psi [1.38 - 8.62 bar]
- Temperature: 40 F - 140 F [4.44 C - 60 C]
- Flow rate: : 1.15 GPM [4.35 L/min] @ 60 psi

**Aerators:**

| Standard Aerator                  | Suffix | Vandal Resistant Laminar Flow Outlet | Suffix |
|-----------------------------------|--------|--------------------------------------|--------|
| <input type="checkbox"/> 0.20 GPM | E1     | <input type="checkbox"/> 0.35 GPM    | H1     |
| <input type="checkbox"/> 0.50 GPM | E2     | <input type="checkbox"/> 0.50 GPM    | H2     |
| <input type="checkbox"/> 1.00 GPM | E3     | <input type="checkbox"/> 1.00 GPM    | H3     |
| <input type="checkbox"/> 1.50 GPM | E4     | <input type="checkbox"/> 1.50 GPM    | H4     |
| <input type="checkbox"/> 1.80 GPM | E5     |                                      |        |
| <input type="checkbox"/> 2.20 GPM | E6     |                                      |        |

| Laminar Flow Outlet               | Suffix | Vandal Resistant Aerator          | Suffix |
|-----------------------------------|--------|-----------------------------------|--------|
| <input type="checkbox"/> 0.50 GPM | F1     | <input type="checkbox"/> 0.35 GPM | G1     |
| <input type="checkbox"/> 1.50 GPM | F2     | <input type="checkbox"/> 0.50 GPM | G2     |
|                                   |        | <input type="checkbox"/> 1.00 GPM | G3     |

**Specifications:**

- Knife-style spray valve
- Offset Flanges
- 6\_Inch Add-on Faucet Included
- Stainless steel Hose

**Optional Cartridges:**

- Quarter-Turn w/ Spring Check valve
- Quarter-Turn w/ Check Valve

**Optional Pre-Rinse Spray Valves:**

| Spray Valve | Flow Rate |
|-------------|-----------|
| C9526       | 1.15GPM   |
| C8149       | 1.42GPM   |
| C9520       | 1.42GPM   |
| C8249       | 4.50GPM   |

**Product compliance:**

- California proposition 65

**Warranty:** Four years(Limited)

**NOTICE**

The information contained herein is not intended to replace the full product installation and safety information available or the experience of a trained product installer. You are required to thoroughly read all installation instructions and product safety information before beginning the installation of this product.



US & Canada :- +1-678 666 2001

Krome product Specifications in U.S. customary units and metric are approximate and are provided for reference only. For precise measurements, please contact Krome Technical Service. Krome reserves the right to change or modify product design, construction, specifications, or materials without prior notice and without incurring any obligation to make such changes and modifications on Krome products previously or subsequently sold. For most updated specification sheet, go to

Copyright © 2017 Krome USA Inc. All Rights Reserved

Date:1/7/23

Revision: 01