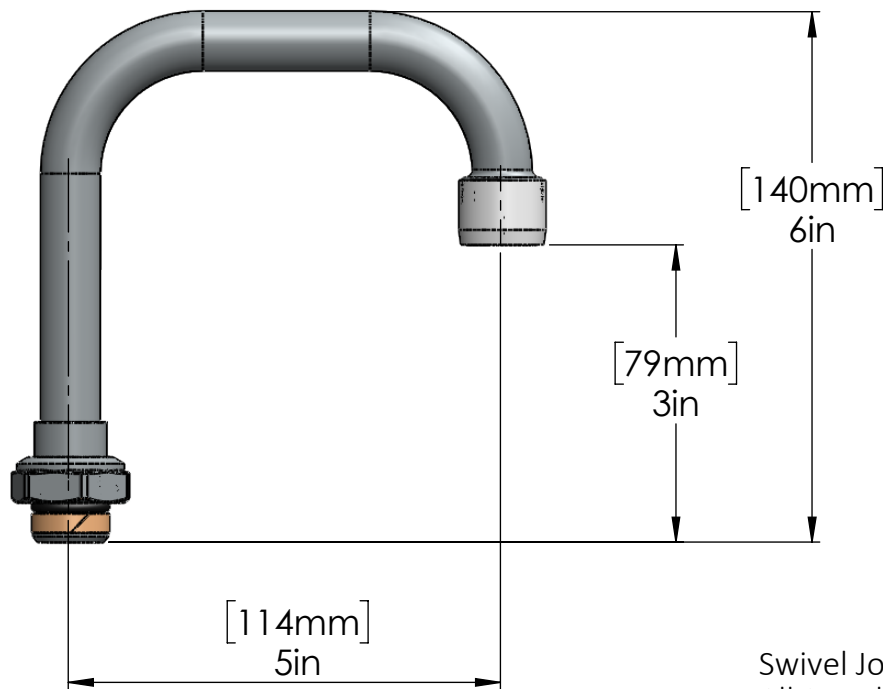


PART NO.-

C8546 Line Drawing

TITLE-

Wide Double Bend Spout with Stream Regulator Outlet



Stream Regulator
Outlet



Swivel Joint Fits
All Standard Aluids
Swivel Outlets

ALUIDS

Note:- Information provided for reference only.

All dimensions are in inches, mm (in bracket)

* This document and the information thereon is the property of Krome Dispense Pvt Ltd. & its subsidiaries. Any reproduction in part or as a whole without the written permission of Krome Dispense Pvt Ltd. is prohibited.