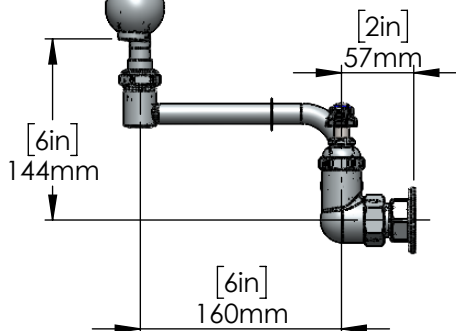
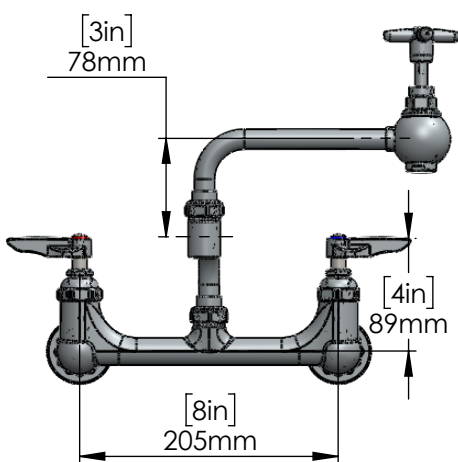


# For Residential and Commercial Applications

Job Name \_\_\_\_\_ Contractor \_\_\_\_\_  
 Job Location \_\_\_\_\_ Approval \_\_\_\_\_  
 Engineer \_\_\_\_\_ Contractor's P.O. No. \_\_\_\_\_  
 Approval \_\_\_\_\_ Representative \_\_\_\_\_

**Series:**

Double Hole Wall Mount Pot Filler Faucet  
 with 8" Centres- 12" Jointed Spout  
 C8559



**Features & Benefits:**

- 12" double joint swing nozzle
- Lever handles with color coded indexes
- Finish Polished chrome plated
- Body made of brass

**Product Compliance:**

- California proposition 65

**Performance Data:**

- Pressure: 20 - 125 psi
- Temperature: 40 F - 140 F
- Foam Flow Aerator

**Warranty:** One Years (Limited)

**NOTICE**

The information contained herein is not intended to replace the full product installation and safety information available or the experience of a trained product installer. You are required to thoroughly read all installation instructions and product safety information before beginning the installation of this product.



US & Canada :- +1-678 666 2001

Krome product Specifications in U.S. customary units and metric are approximate and are provided for reference only. For precise measurements, please contact Krome Technical Service. Krome reserves the right to change or modify product design, construction, specifications, or materials without prior notice and without incurring any obligation to make such changes and modifications on Krome products previously or subsequently sold. For most updated specification sheet, go to