

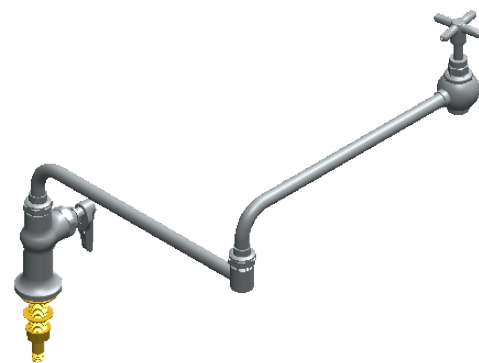
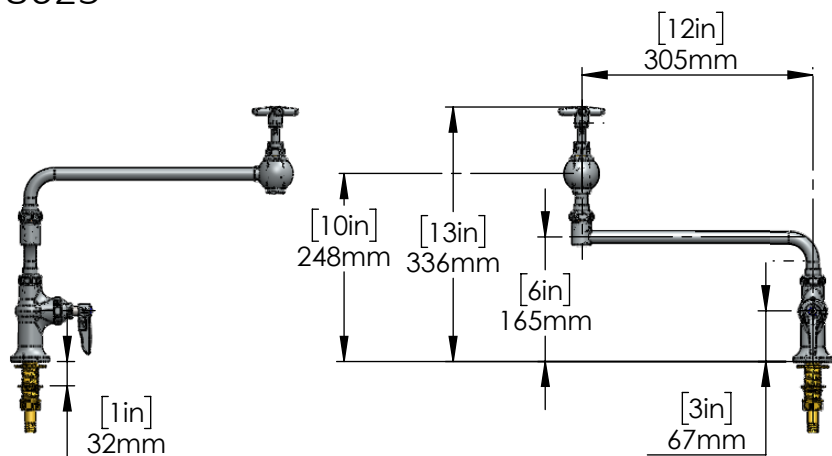
For Residential and Commercial Applications

Job Name _____
Job Location _____
Engineer _____
Approval _____

Contractor _____
Approval _____
Contractor's P.O. No. _____
Representative _____

Series:

Single Hole Single Lever Deck Mount
Pot Filler Faucet with 24" Jointed Spout
8625



Features & Benefits:

- Dual shut off on the Delta Pot Filler faucet allows the user to turn the water off at either the wall or the spout, controlling the water flow at the point of use
- 24 in. dual swing joints allow the pot filler to easily fold away when not in use
- Simple on and off with a quarter turn of the handle
- 4 gallons per minute for quick fills
- Two swing joints

Performance Data:

- Pressure: 20 - 125 psi
- Temperature: 40° F - 140° F
- Foam Flow Aerator

Product Compliance:

California proposition 65

Warranty: One Years (Limited)

NOTICE

The information contained herein is not intended to replace the full product installation and safety information available or the experience of a trained product installer. You are required to thoroughly read all installation instructions and product safety information before beginning the installation of this product.



US & Canada :- +1-678 666 2001

Krome product Specifications in U.S. customary units and metric are approximate and are provided for reference only. For precise measurements, please contact Krome Technical Service. Krome reserves the right to change or modify product design, construction, specifications, or materials without prior notice and without incurring any obligation to make such changes and modifications on Krome products previously or subsequently sold. For most updated specification sheet, go to

ALUIDS