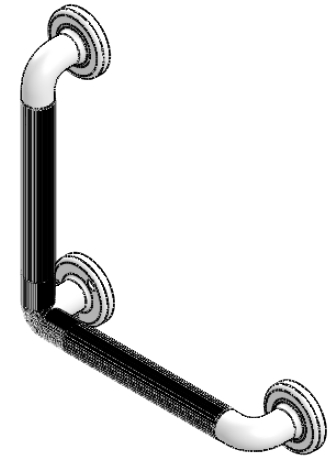
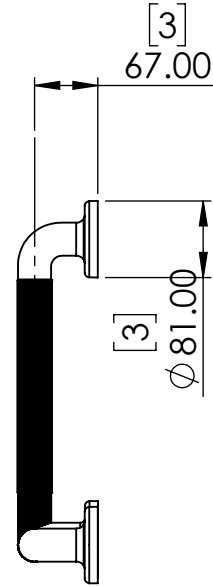
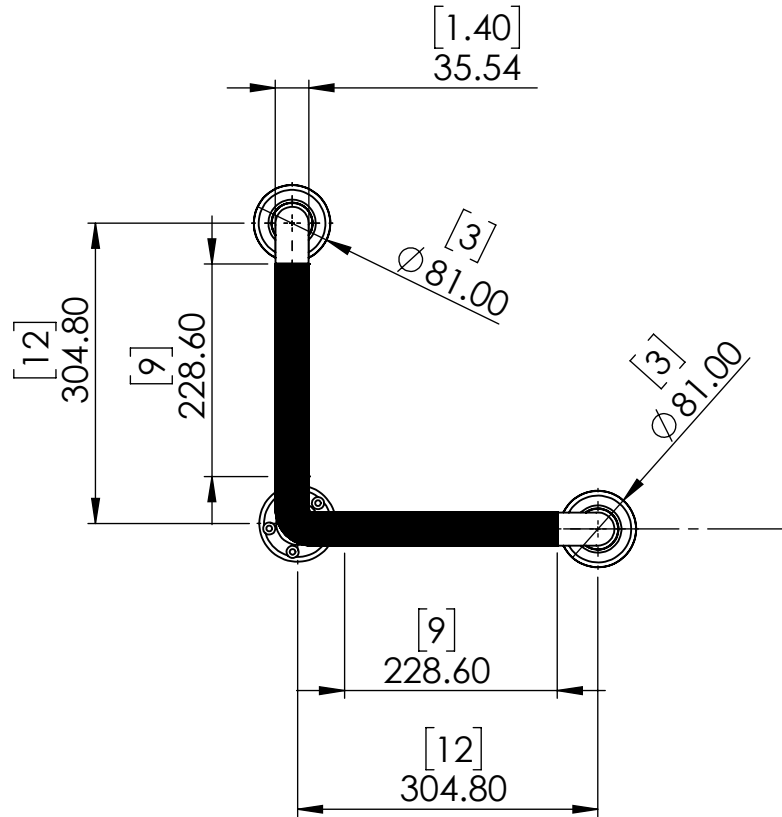


PART NO.-

C9002 line drawing

TITLE-

90 Degree Grab bar-12X12 - ABS



All dimensions are mm, inches(in bracket)

ALUIDS

Note:- Information provided for reference only.

* This document and the information thereon is the property of Krome Dispense Pvt Ltd. & its subsidiaries. Any reproduction in part or as a whole without the written permission of Krome Dispense Pvt Ltd. is prohibited.