

For Residential and Commercial Applications

Job Name _____
 Job Location _____
 Engineer _____
 Approval _____

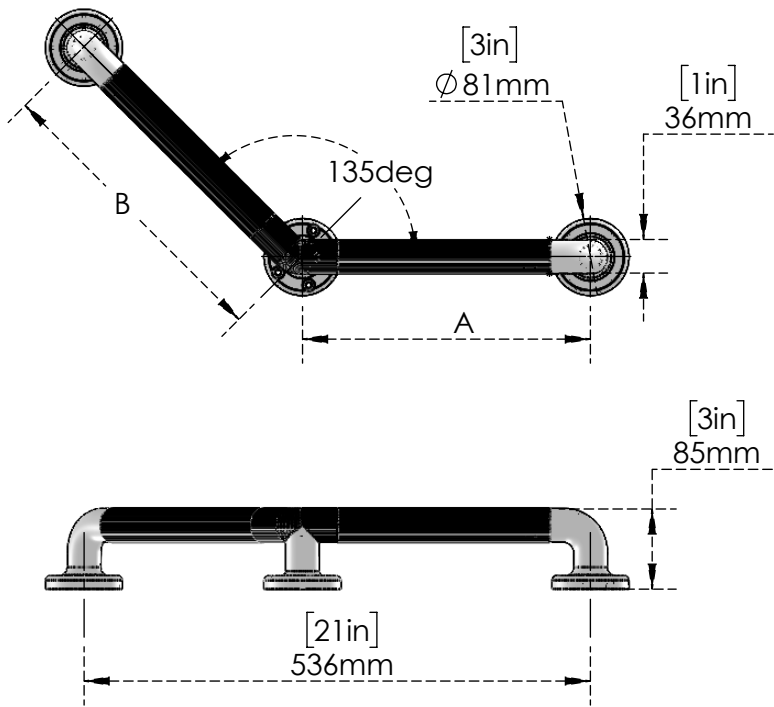
Contractor _____
 Approval _____
 Contractor's P.O. No. _____
 Representative _____

Series

135 Degree Angle Grab Bar - ABS 12" pipe
 C9012

Sizes:

Sizes 12 inch, 15 inch and 18 inch



Dimensions

Part No.	DIMENSIONS			
	Centre to Centre Distance A		Centre to Centre Distance B	
	in	mm	in.	mm
C9012	12.00	305	12.00	305
C9013	15.00	381	15.00	381

Features & Benefits:

- Plastic ABS elbow and pipe.
- 135 degree bend with straight knurling on ppe for grip.
- It helps to mitigate slips and falls.
- Available in 12", 15" and 18".

NOTICE

The information contained herein is not intended to replace the full product installation and safety information available or the experience of a trained product installer. You are required to thoroughly read all installation instructions and product safety information before beginning the installation of this product.



US & Canada :- +1-678 666 2001

Krome product Specifications in U.S. customary units and metric are approximate and are provided for reference only. For precise measurements, please contact Krome Technical Service. Krome reserves the right to change or modify product design, construction, specifications, or materials without prior notice and without incurring any obligation to make such changes and modifications on Krome products previously or subsequently sold. For most updated specification sheet, go to www.aluids.com