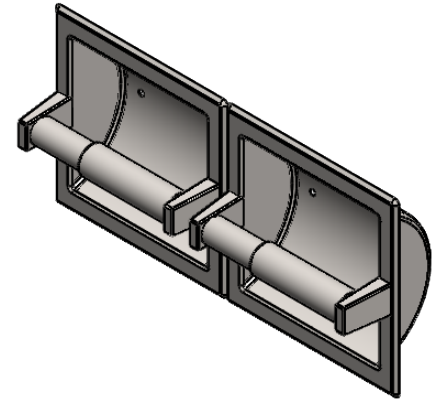
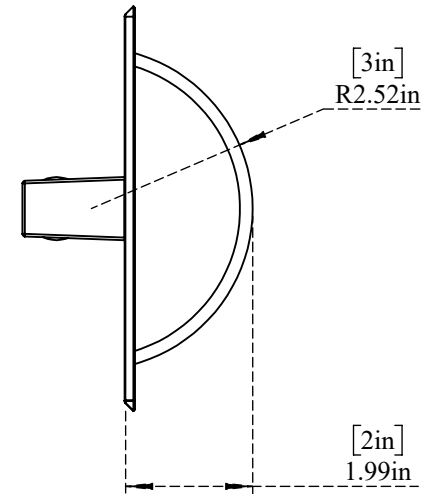
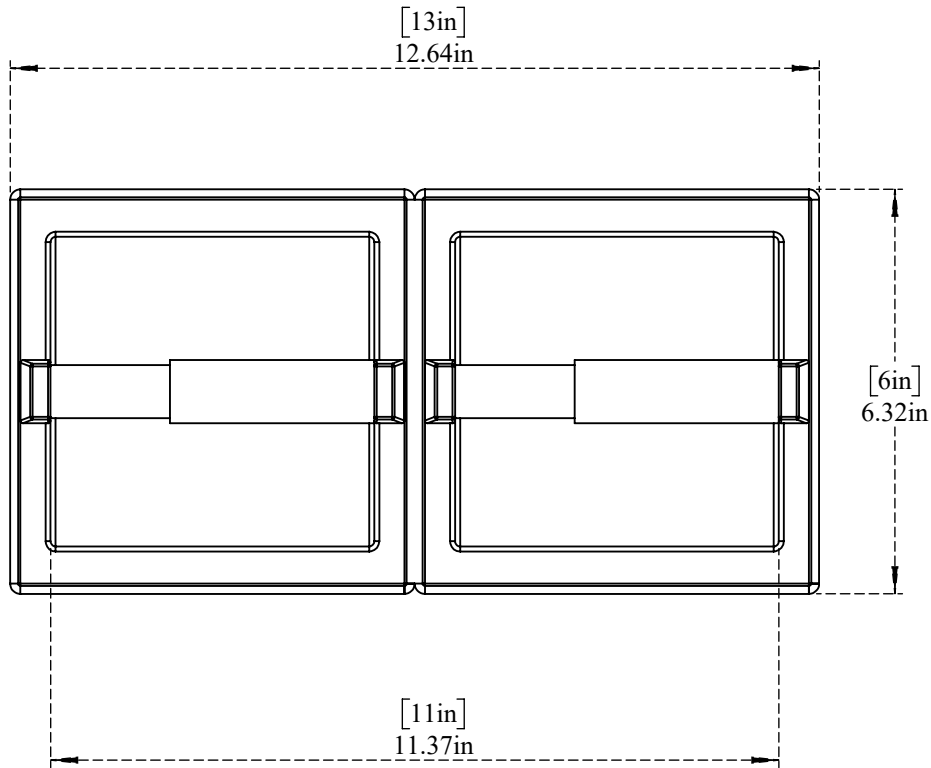


PART NO.-

C9202 line drawingg

TITLE-

Recessed Dual-In Wall Toilet Tissue Dispenser



All dimensions are in inches, mm (in bracket)

**ALUIDS**

**Note:-** Information provided for reference only.

\* This document and the information thereon is the property of Krome Dispense Pvt Ltd. &its subsidiaries. Any reproduction in part or as a whole without the written permission of Krome Dispense Pvt Ltd. is prohibited.