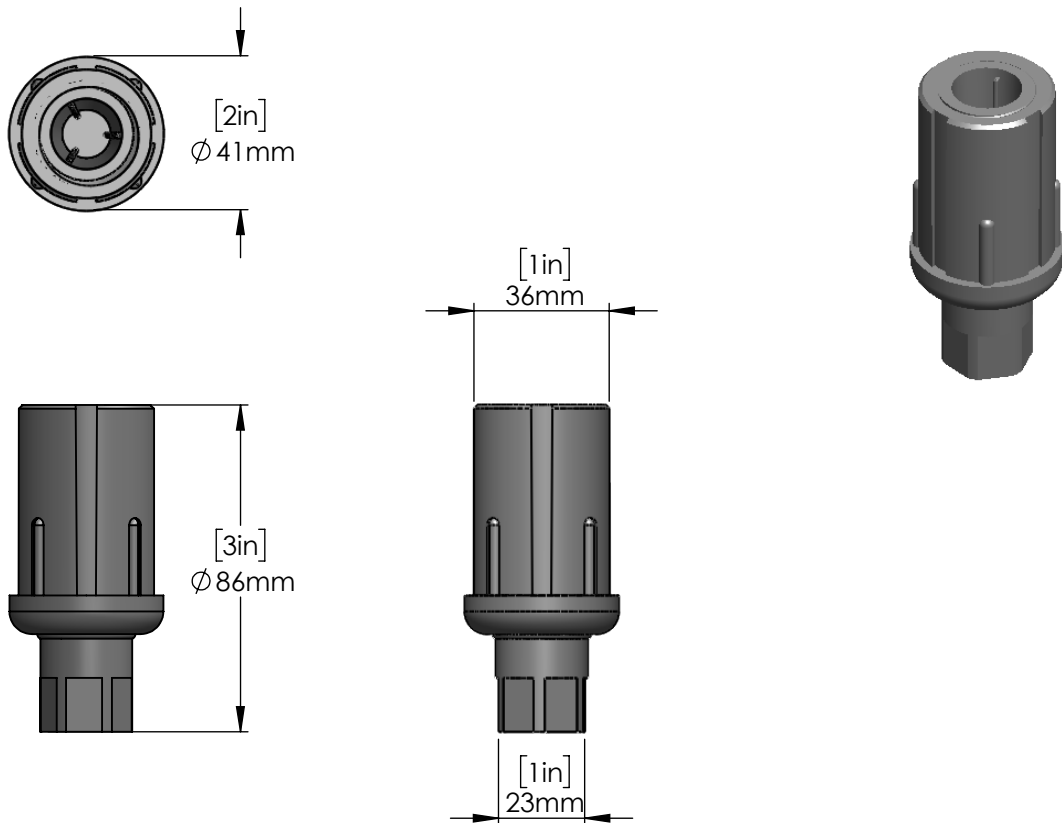


# For Residential and Commercial Applications

Job Name \_\_\_\_\_ Contractor \_\_\_\_\_  
Job Location \_\_\_\_\_ Approval \_\_\_\_\_  
Engineer \_\_\_\_\_ Contractor's P.O. No. \_\_\_\_\_  
Approval \_\_\_\_\_ Representative \_\_\_\_\_

## Series:

Plastic Bullet Foot for Dish Tables and Sinks  
C9218



### Features & Benefits:

- Made of plastic material that's why it is durable.
- Can be use for all work tables and sink
- Adjustable and ensure a level of table and work surface.

**Warranty:** One Years (Limited)

### NOTICE

The information contained herein is not intended to replace the full product installation and safety information available or the experience of a trained product installer. You are required to thoroughly read all installation instructions and product safety information before beginning the installation of this product.



US & Canada :- +1-678 666 2001

Krome product Specifications in U.S. customary units and metric are approximate and are provided for reference only. For precise measurements, please contact Krome Technical Service. Krome reserves the right to change or modify product design, construction, specifications, or materials without prior notice and without incurring any obligation to make such changes and modifications on Krome products previously or subsequently sold. For most updated specification sheet, go to