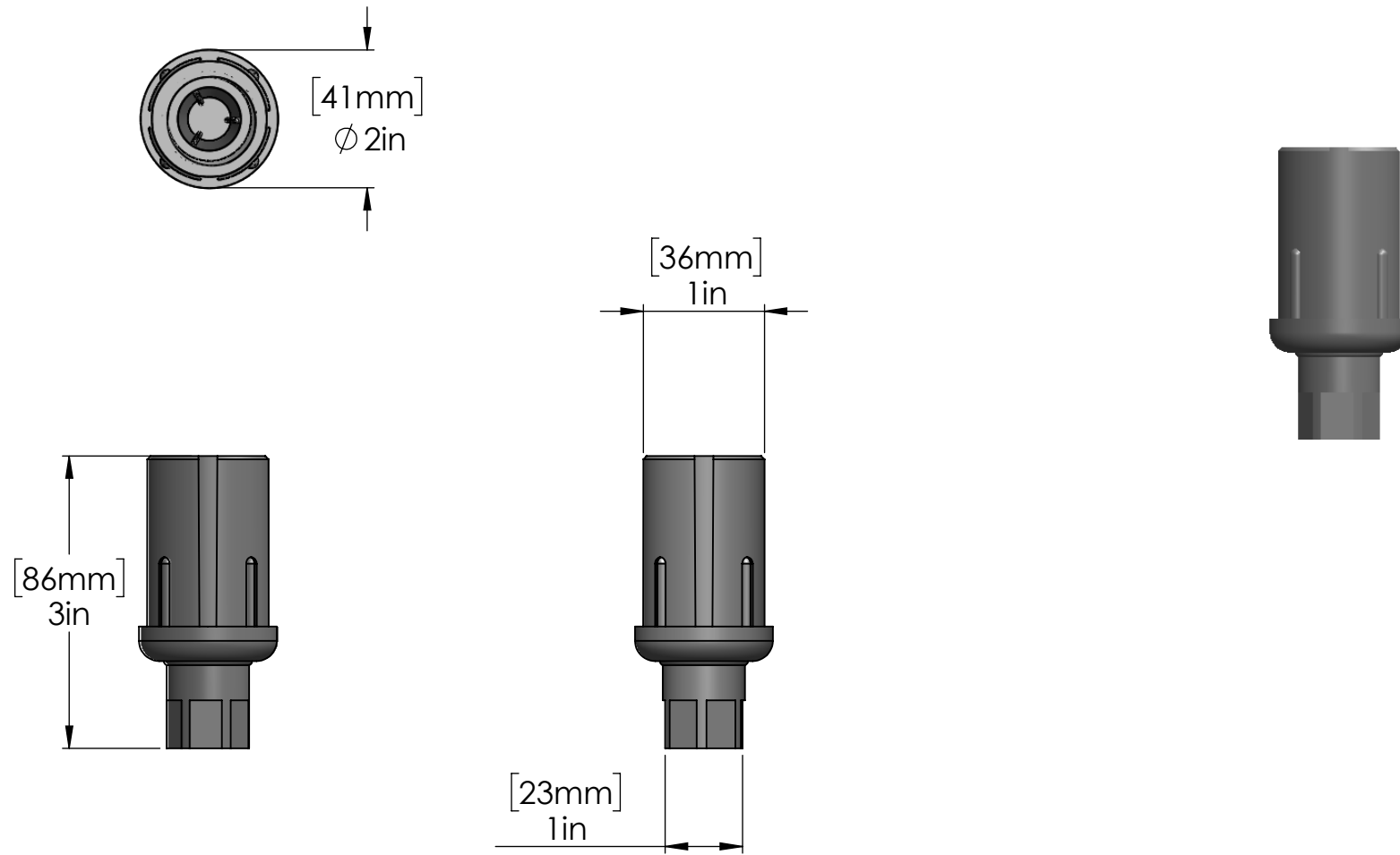


PART NO.- C9218

TITLE- Plastic Bullet Foot For Commercial Work Table



All dimensions are in inches, mm (in bracket)

**ALUIDS**

Note:- Information provided for reference only.

\* This document and the information thereon is the property of Krome Dispense Pvt Ltd. & its subsidiaries. Any reproduction in part or as a whole without the written permission of Krome Dispense Pvt Ltd. is prohibited.