

For Residential and Commercial Applications

Job Name _____
 Job Location _____
 Engineer _____
 Approval _____

Contractor _____
 Approval _____
 Contractor's P.O. No. _____
 Representative _____

Series: Stainless Steel Wall Mounted Hand Sink with Dual Splash Wall Mounted Faucet 14"X10"

Part No-C9300-DS-F

Features & Benefits:

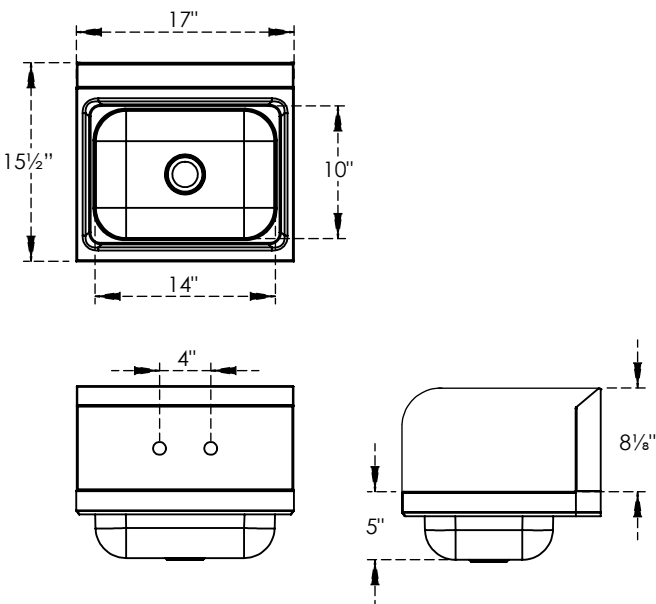
- No sharp Edges
- Rust and Corrosion resistance
- Round arc corners
- 4" Wall Mount Work Board Faucet with 4-1/4" Wide Gooseneck Spout Included
- Drain Included
- Wall Mounting Strip Included
- Side Splash prevent water from splashing.



Options Available:

Part No.	Size	Bowl Dim.	Centre	Included Faucet	Drain Size	P-Trap
C9300	17" x 15½"	14"L x 10"W x 5"	4" Centre	-	1-½ "	-
C9300-F	17" x 15½"	14"L x 10"W x 5"	4" Centre	C8276	1-½ "	-
C9300-RS	17" x 15½"	14"L x 10"W x 5"	4" Centre	-	1-½ "	-
C9300-RS-F	17" x 15½"	14"L x 10"W x 5"	4" Centre	C8276	1-½ "	-
C9300-LS	17" x 15½"	14"L x 10"W x 5"	4" Centre	-	1-½ "	-
C9300-LS-F	17" x 15½"	14"L x 10"W x 5"	4" Centre	C8276	1-½ "	-
C9300-DS	17" x 15½"	14"L x 10"W x 5"	4" Centre	-	1-½ "	-
C9300-DS-F-PT	17" x 15½"	14"L x 10"W x 5"	4" Centre	C8276	1-½ "	C8356
C9300-PT-F	17" x 15½"	14"L x 10"W x 5"	4" Centre	C8276	1-½ "	C8356

Dimensions:



Material:

- 304 Stainless Steel

NOTICE

The information contained herein is not intended to replace the full product installation and safety information available or the experience of a trained product installer. You are required to thoroughly read all installation instructions and product safety information before beginning the installation of this product.



US & Canada :- +1-678 666 2001

Krome product Specifications in U.S. customary units and metric are approximate and are provided for reference only. For precise measurements, please contact Krome Technical Service. Krome reserves the right to change or modify product design, construction, specifications, or materials without prior notice and without incurring any obligation to make such changes and modifications on Krome products previously or subsequently sold. For most updated specification sheet, go to