

# For Residential and Commercial Applications

Job Name \_\_\_\_\_  
 Job Location \_\_\_\_\_  
 Engineer \_\_\_\_\_  
 Approval \_\_\_\_\_

Contractor \_\_\_\_\_  
 Approval \_\_\_\_\_  
 Contractor's P.O. No. \_\_\_\_\_  
 Representative \_\_\_\_\_

## Series: Stainless Steel Wall Mounted Hand Sink with 4" Centre Wall Mounted Faucet and Left Side Splash 14"X10"

### Part No-9300-LS-F

#### Features & Benefits:

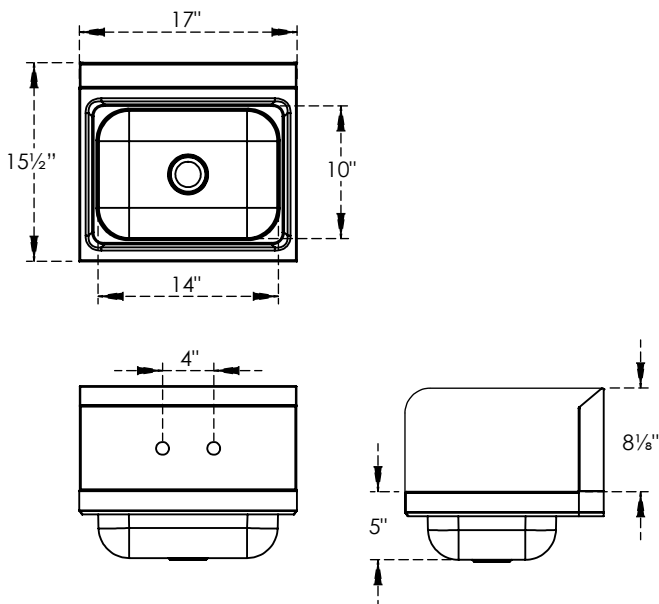
- No sharp Edges
- Rust and Corrosion resistance
- 4" Wall Mount Work Board Faucet with 4-1/4" Wide Gooseneck Spout Included
- Side Splash prevents water from Splashing
- Round arc corners
- Drain Included
- Wall Mounting Strip Included



#### Options Available:

Part No.	Size	Bowl Dim.	Centre	Included Faucet	Drain Size	P-Trap
C9300	17" x 15½"	14"L x 10"W x 5"	4" Centre	-	1-½"	-
C9300-F	17" x 15½"	14"L x 10"W x 5"	4" Centre	C8276	1-½"	-
C9300-PT-F	17" x 15½"	14"L x 10"W x 5"	4" Centre	C8276	1-½"	C8356
C9300-RS	17" x 15½"	14"L x 10"W x 5"	4" Centre	-	1-½"	-
C9300-RS-F	17" x 15½"	14"L x 10"W x 5"	4" Centre	C8276	1-½"	-
C9300-LS	17" x 15½"	14"L x 10"W x 5"	4" Centre	-	1-½"	-
C9300-DS	17" x 15½"	14"L x 10"W x 5"	4" Centre	-	1-½"	-
C9300-DS-F	17" x 15½"	14"L x 10"W x 5"	4" Centre	C8276	1-½"	-
C9300-DS-F-PT	17" x 15½"	14"L x 10"W x 5"	4" Centre	C8276	1-½"	C8356

#### Dimensions:



#### Material:

- 304 Stainless Steel

#### NOTICE

The information contained herein is not intended to replace the full product installation and safety information available or the experience of a trained product installer. You are required to thoroughly read all installation instructions and product safety information before beginning the installation of this product.



US & Canada :- +1-678 666 2001

Krome product Specifications in U.S. customary units and metric are approximate and are provided for reference only. For precise measurements, please contact Krome Technical Service. Krome reserves the right to change or modify product design, construction, specifications, or materials without prior notice and without incurring any obligation to make such changes and modifications on Krome products previously or subsequently sold. For most updated specification sheet, go to