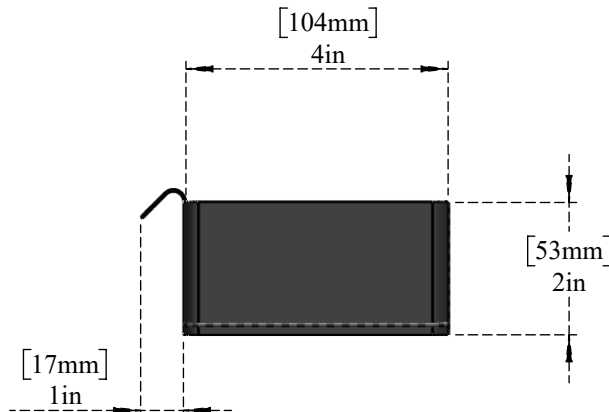
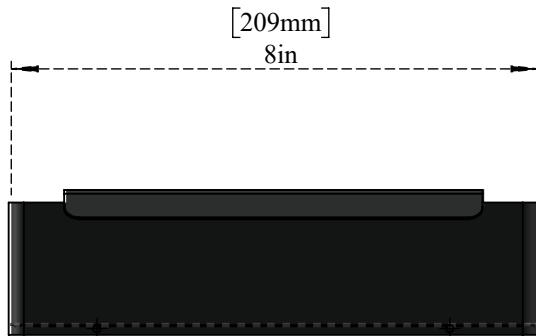


PART NO.-

C9212 Line Drawing

TITLE-

Magnetic Flex Tray Storage Box – Black



ALUIDS	Note:- Information provided for reference only.
* This document and the information thereon is the property of Krome Dispense Pvt Ltd. &its subsidiaries. Any reproduction in part or as a whole without the written permission of Krome Dispense Pvt Ltd. is prohibited.	

All dimensions are in inches, mm (in bracket)