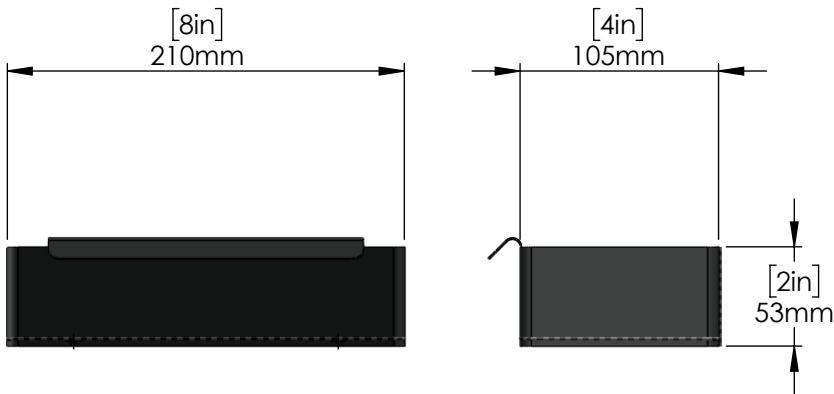


# For Residential and Commercial Applications

Job Name \_\_\_\_\_ Contractor \_\_\_\_\_  
Job Location \_\_\_\_\_ Approval \_\_\_\_\_  
Engineer \_\_\_\_\_ Contractor's P.O. No. \_\_\_\_\_  
Approval \_\_\_\_\_ Representative \_\_\_\_\_

## Series:

Magnetic Flex Tray Storage Box – Black  
C9212



### Features & Benefits:

- This Wall Mount Magnetic Flex Tray can easily be placed on Magnetic Shelf
- Occupy less space and easily install
- Non-Slipry profile and an inbuilt magnetic stripe that can hold Heavyweight
- Material Stainless Steel
- Color Black
- Size B: 21 cm, H: 5 cm, D: 12.5 cm

### Product Compliance:

- N/A

**Warranty:** One Years (Limited)

### NOTICE

The information contained herein is not intended to replace the full product installation and safety information available or the experience of a trained product installer. You are required to thoroughly read all installation instructions and product safety information before beginning the installation of this product.



US & Canada :- +1-678 666 2001

Krome product Specifications in U.S. customary units and metric are approximate and are provided for reference only. For precise measurements, please contact Krome Technical Service. Krome reserves the right to change or modify product design, construction, specifications, or materials without prior notice and without incurring any obligation to make such changes and modifications on Krome products previously or subsequently sold. For most updated specification sheet, go to