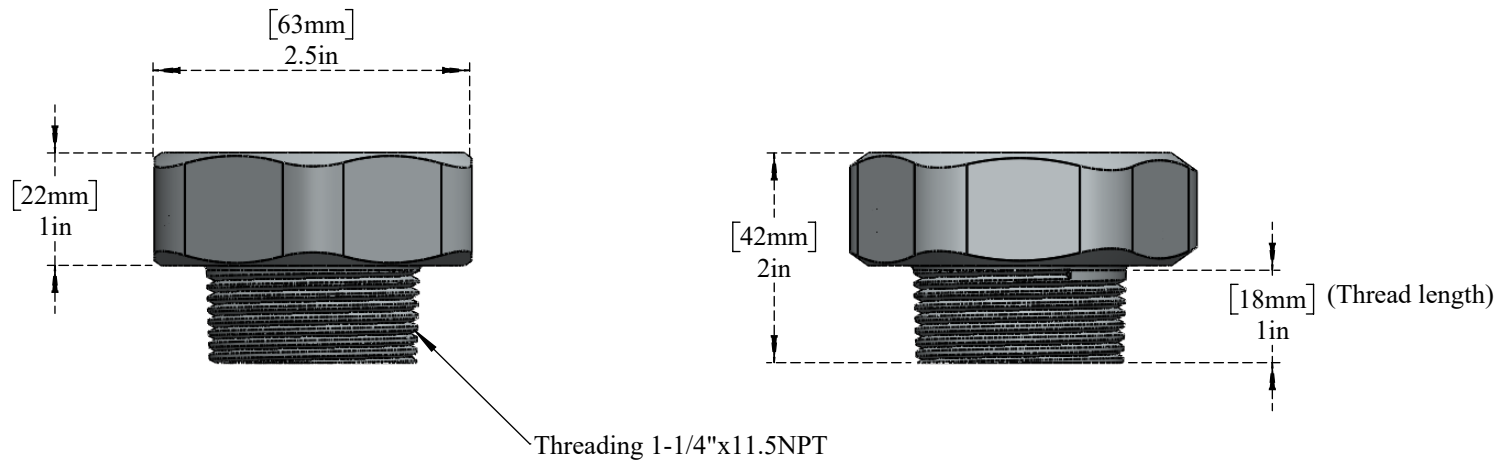
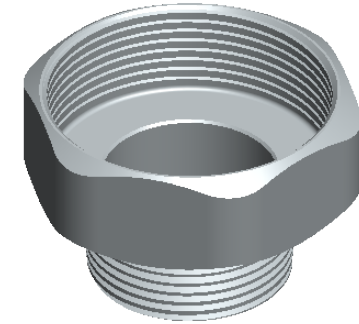
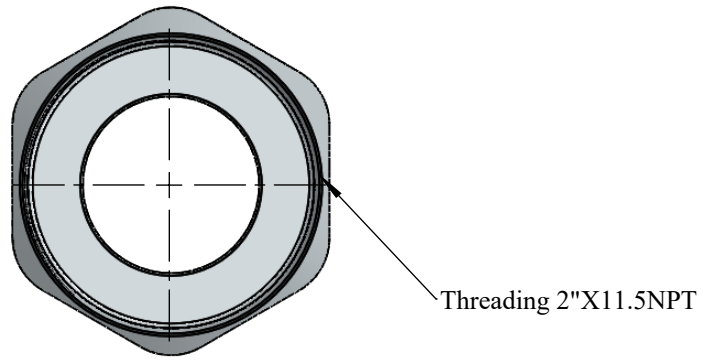


PART NO.- C8245

TITLE- Adapter For Waste Drain 1-1/4" NPT Outlet Connection



All dimensions are in inches, mm (in bracket)

ALUIDS

Note:- Information provided for reference only.

* This document and the information thereon is the property of Krome Dispense Pvt Ltd. & its subsidiaries. Any reproduction in part or as a whole without the written permission of Krome Dispense Pvt Ltd. is prohibited.