

For Residential and Commercial Applications

Job Name _____
 Job Location _____
 Engineer _____
 Approval _____

Contractor _____
 Approval _____
 Contractor's P.O. No. _____
 Representative _____

C8190 Series

Series

Double Pantry 8" Wall Mount with Swivel Base Faucet

Sizes:

8" Wall Mount Pantry Faucets with 6" to 18" Swing Nozzle

Features & Benefits:

- Swing Nozzle stream regulator outlet
- 1/2" NPT Female Eccentric Flange
- Lever Handles with HOT & COLD Indexes
- Compression cartridges with spring checks
- Adjustable centers from 7-3/4" to 8-1/4"
- With free flow outlet aerator
- Warranty 3 Years

Product Compliance:

California Proposition 65

Performance Data:

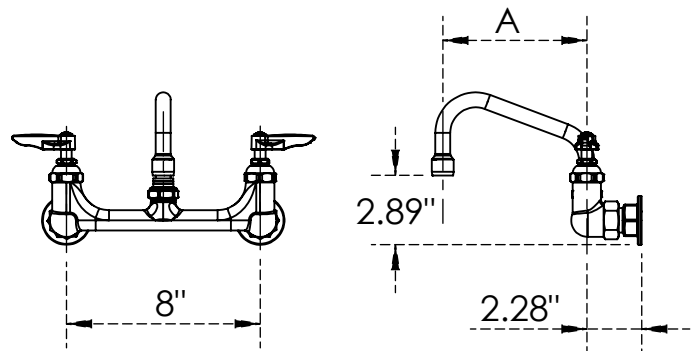
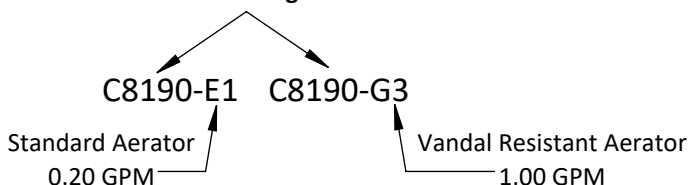
Pressure: 20- 125 PSI
 Temperature: 40 °F to 140 °F

Aerators:

Standard Aerator	Suffix	Vandal Resistant Aerator	Suffix
<input type="checkbox"/> 0.20 GPM	E1	<input type="checkbox"/> 0.35 GPM	G1
<input type="checkbox"/> 0.50 GPM	E2	<input type="checkbox"/> 0.50 GPM	G2
<input type="checkbox"/> 1.00 GPM	E3	<input type="checkbox"/> 1.00 GPM	G3
<input type="checkbox"/> 1.50 GPM	E4	<input type="checkbox"/> 1.50 GPM	G4
<input type="checkbox"/> 1.80 GPM	E5		
<input type="checkbox"/> 2.20 GPM	E6		

Laminar Flow Outlet	Suffix	Vandal Resistant Laminar Flow Outlet	Suffix
<input type="checkbox"/> 0.50 GPM	F1	<input type="checkbox"/> 0.35 GPM	H1
<input type="checkbox"/> 1.50 GPM	F2	<input type="checkbox"/> 0.50 GPM	H2
		<input type="checkbox"/> 1.00 GPM	H3
		<input type="checkbox"/> 1.50 GPM	H4

Model e.g.



Dimensions - Weights

MODEL	Main Body		DIMENSIONS				WEIGHT
	Faucet Body	Swivel Nozzle	Body Center Holes		Swivel Nozzle Length A		
			in	mm	in	mm	lbs.
C8190	C8109	C8179	8"	203	6"	152	5.57
C8453	C8109	C8180	8"	203	8"	203	5.67
C8191	C8109	C8181	8"	203	10"	254	5.72
C8192	C8109	C8145	8"	203	12"	305	5.82
C8454	C8109	C8217	8"	203	14"	356	5.87
C8193	C8109	C8182	8"	203	18"	457	6.04

NOTICE

The information contained herein is not intended to replace the full product installation and safety information available or the experience of a trained product installer. You are required to thoroughly read all installation instructions and product safety information before beginning the installation of this product.



US & Canada :- +1-678 666 2001

Krome product Specifications in U.S. customary units and metric are approximate and are provided for reference only. For precise measurements, please contact Krome Technical Service. Krome reserves the right to change or modify product design, construction, specifications, or materials without prior notice and without incurring any obligation to make such changes and modifications on Krome products previously or subsequently sold. For most updated specification sheet, go to www.aluids.com