

# For Residential and Commercial Applications

Job Name \_\_\_\_\_  
 Job Location \_\_\_\_\_  
 Engineer \_\_\_\_\_  
 Approval \_\_\_\_\_

Contractor \_\_\_\_\_  
 Approval \_\_\_\_\_  
 Contractor's P.O. No. \_\_\_\_\_  
 Representative \_\_\_\_\_

C8455 Series

## Series

### Double Pantry 8" Wall Mount with Swivel Base Faucet

#### Sizes:

8" Wall Mount Pantry Faucets with 15" to 24" Double Joint Swivel Spout



#### Features & Benefits:

- Double Joint Swivel Spout stream regulator outlet
- 1/2" NPT Female Eccentric Flange
- Lever Handles with HOT & COLD Indexes
- Compression cartridges with spring checks
- Adjustable centers from 7-3/4" to 8-1/4"
- With free flow outlet aerator
- Warranty 3 Years

#### Product Compliance:

California Proposition 65

#### Performance Data:

Pressure: 20- 125 PSI  
 Temperature: 40°F to 140°F

#### Aerators:

Standard Aerator	Suffix
<input type="checkbox"/> 0.20 GPM	E1
<input type="checkbox"/> 0.50 GPM	E2
<input type="checkbox"/> 1.00 GPM	E3
<input type="checkbox"/> 1.50 GPM	E4
<input type="checkbox"/> 1.80 GPM	E5
<input type="checkbox"/> 2.20 GPM	E6

Vandal Resistant Aerator	Suffix
<input type="checkbox"/> 0.35 GPM	G1
<input type="checkbox"/> 0.50 GPM	G2
<input type="checkbox"/> 1.00 GPM	G3
<input type="checkbox"/> 1.50 GPM	G4

Laminar Flow Outlet	Suffix
<input type="checkbox"/> 0.50 GPM	F1
<input type="checkbox"/> 1.50 GPM	F2

Vandal Resistant Laminar Flow Outlet	Suffix
<input type="checkbox"/> 0.35 GPM	H1
<input type="checkbox"/> 0.50 GPM	H2
<input type="checkbox"/> 1.00 GPM	H3
<input type="checkbox"/> 1.50 GPM	H4

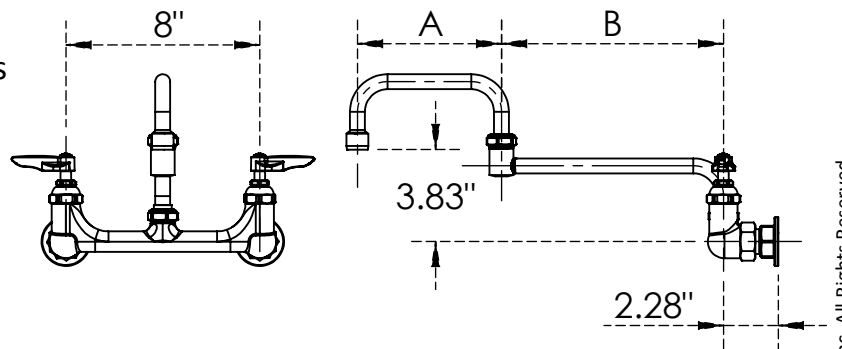
Model e.g.

C8455-E1

C8455-H3

Standard Aerator  
0.20 GPM

Vandal Resistant Laminar  
Flow Outlet 1.00 GPM



#### Dimensions - Weights

MODEL	Main Body		DIMENSIONS						WEIGHT		
	Faucet Body	Swivel Nozzle	Body Center		Front Section Length A		Back Section			Total Length	
			in.	mm	in.	mm	in.	mm	in.	mm	lbs.
C8455	C8109	C8207	8"	203	6"	152	9"	235	15"	381	6.31
C8456	C8109	C8222	8"	203	12"	305	12"	305	24"	610	6.59

#### NOTICE

The information contained herein is not intended to replace the full product installation and safety information available or the experience of a trained product installer. You are required to thoroughly read all installation instructions and product safety information before beginning the installation of this product.



US & Canada :- +1-678 666 2001

Krome product Specifications in U.S. customary units and metric are approximate and are provided for reference only. For precise measurements, please contact Krome Technical Service. Krome reserves the right to change or modify product design, construction, specifications, or materials without prior notice and without incurring any obligation to make such changes and modifications on Krome products previously or subsequently sold. For most updated specification sheet, go to [www.aluids.com](http://www.aluids.com)