

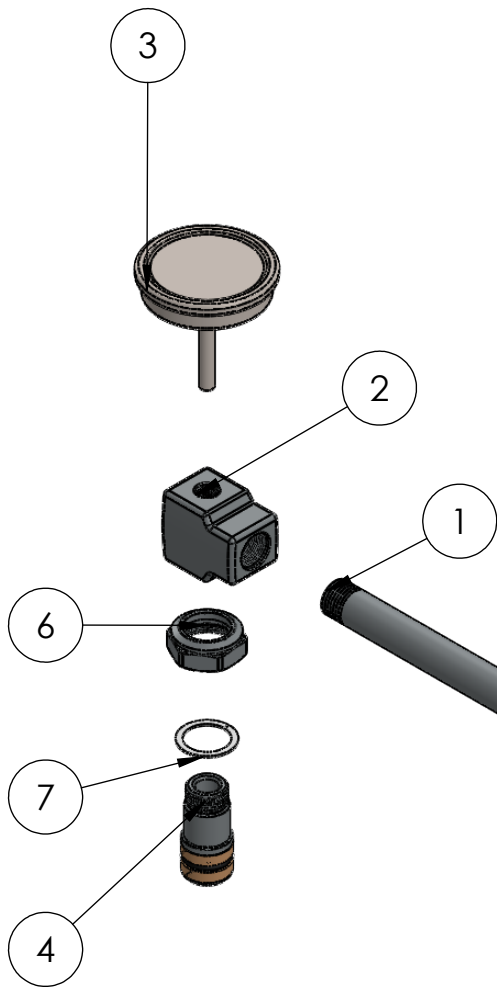
# For Residential and Commercial Applications

Job Name \_\_\_\_\_  
 Job Location \_\_\_\_\_  
 Engineer \_\_\_\_\_  
 Approval \_\_\_\_\_

Contractor \_\_\_\_\_  
 Approval \_\_\_\_\_  
 Contractor's P.O. No. \_\_\_\_\_  
 Representative \_\_\_\_\_

## Series

Faucet swing nozzle/spouts  
 Part no:c8638



ItemNo.	Part No.	Part Name	Qty.
1	C8638.01	8" Swivel Spout Pipe	1
2	C8638.03	Adapter	1
3	C8638.02	2.5" Water Thermometer with 1.2" Stem	1
4	C8506.50	Swivel Bush Sub-Assembly	1
5	C8202.50	Aerator, Aerator Holder and Rubber washer Sub-Assembly	1
6	C8145.01.03	Swivel Hexnut	1
7	C8145.01.04	Swivel Washer	1

### NOTICE

The information contained herein is not intended to replace the full product installation and safety information available or the experience of a trained product installer. You are required to thoroughly read all installation instructions and product safety information before beginning the installation of this product.

Copyright © 2017 Krome USA Inc. All Rights Reserved

Date: \_\_\_\_\_  
 Revision: 01



US & Canada :- +1-678 666 2001

Krome product Specifications in U.S. customary units and metric are approximate and are provided for reference only. For precise measurements, please contact Krome Technical Service. Krome reserves the right to change or modify product design, construction, specifications, or materials without prior notice and without incurring any obligation to make such changes and modifications on Krome products previously or subsequently sold. For most updated specification sheet, go to