

# For Residential and Commercial Applications

Job Name \_\_\_\_\_  
 Job Location \_\_\_\_\_  
 Engineer \_\_\_\_\_  
 Approval \_\_\_\_\_

Contractor \_\_\_\_\_  
 Approval \_\_\_\_\_  
 Contractor's P.O. No. \_\_\_\_\_  
 Representative \_\_\_\_\_

## Series

Faucet Swing Nozzle/Spouts  
 Part no:C8638

### Sizes:

Nozzle Size 8" to 12"

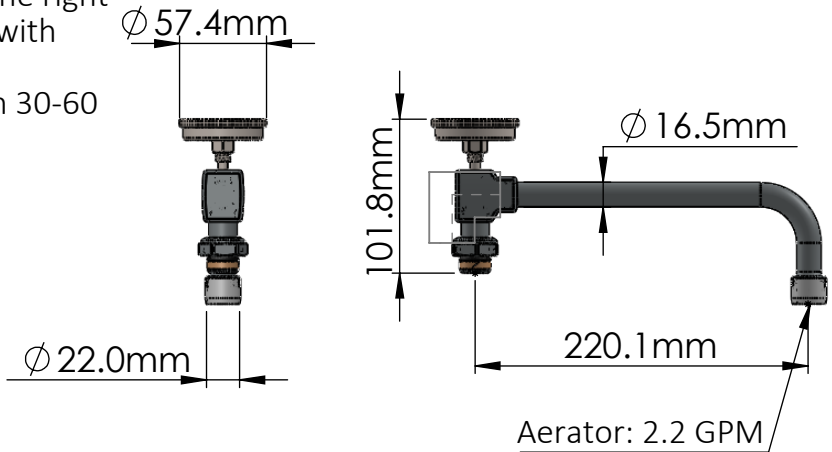


### Features & Benefits:

1. It has 8" center body having hot handle on the left and cold handle on the right
2. In the center, it has an 8" spout with a thermometer on it.
3. Having temperature range from 30-60 celsius

### Performance Data:

- Pressure: 20 - 80 psi
- Flow Rate: 2.2 GPM @60PSI



### Product compliance:

California proposition 65

### Aerators:

Standard Aerator	Suffix
<input type="checkbox"/> 0.20 GPM	E1
<input type="checkbox"/> 0.50 GPM	E2
<input type="checkbox"/> 1.00 GPM	E3
<input type="checkbox"/> 1.50 GPM	E4
<input type="checkbox"/> 1.80 GPM	E5
<input type="checkbox"/> 2.20 GPM	E6

Vandal Resistant Laminar Flow Outlet	Suffix
<input type="checkbox"/> 0.35 GPM	H1
<input type="checkbox"/> 0.50 GPM	H2
<input type="checkbox"/> 1.00 GPM	H3
<input type="checkbox"/> 1.50 GPM	H4

Laminar Flow Outlet	Suffix
<input type="checkbox"/> 0.50 GPM	F1
<input type="checkbox"/> 1.50 GPM	F2

Vandal Resistant Aerator	Suffix
<input type="checkbox"/> 0.35 GPM	G1
<input type="checkbox"/> 0.50 GPM	G2
<input type="checkbox"/> 1.00 GPM	G3

**Warranty:** One Year Limited

### NOTICE

The information contained herein is not intended to replace the full product installation and safety information available or the experience of a trained product installer. You are required to thoroughly read all installation instructions and product safety information before beginning the installation of this product.



US & Canada :- +1-678 666 2001

Krome product Specifications in U.S. customary units and metric are approximate and are provided for reference only. For precise measurements, please contact Krome Technical Service. Krome reserves the right to change or modify product design, construction, specifications, or materials without prior notice and without incurring any obligation to make such changes and modifications on Krome products previously or subsequently sold. For most updated specification sheet, go to